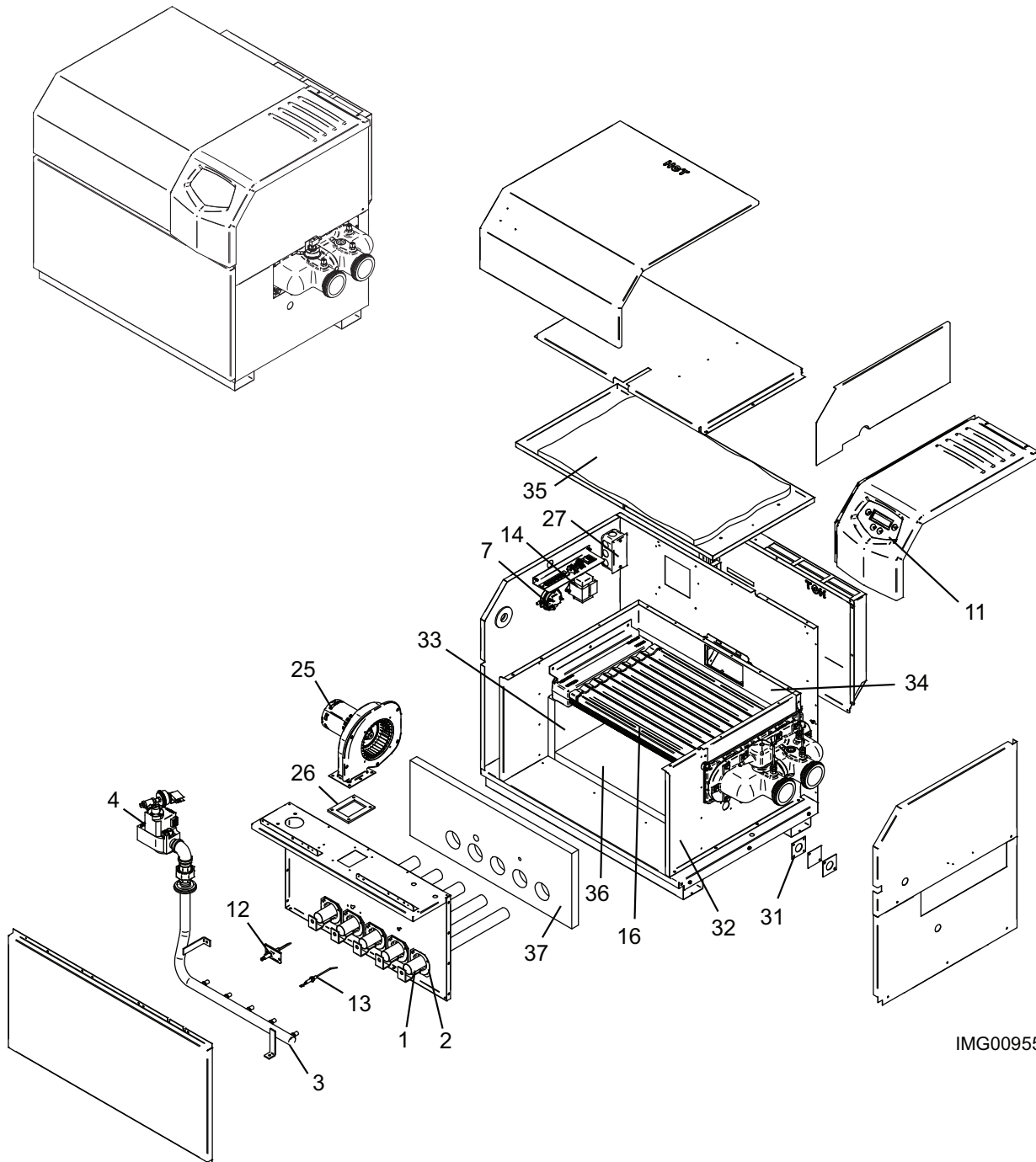




**Replacement Parts List**

**PARTS & SERVICE DEPARTMENT**  
 Nashville, Tennessee  
 877-554-5544 • Fax: 615-882-2918  
 parts\_team@lochinvar.com  
 www.Lochinvar.com

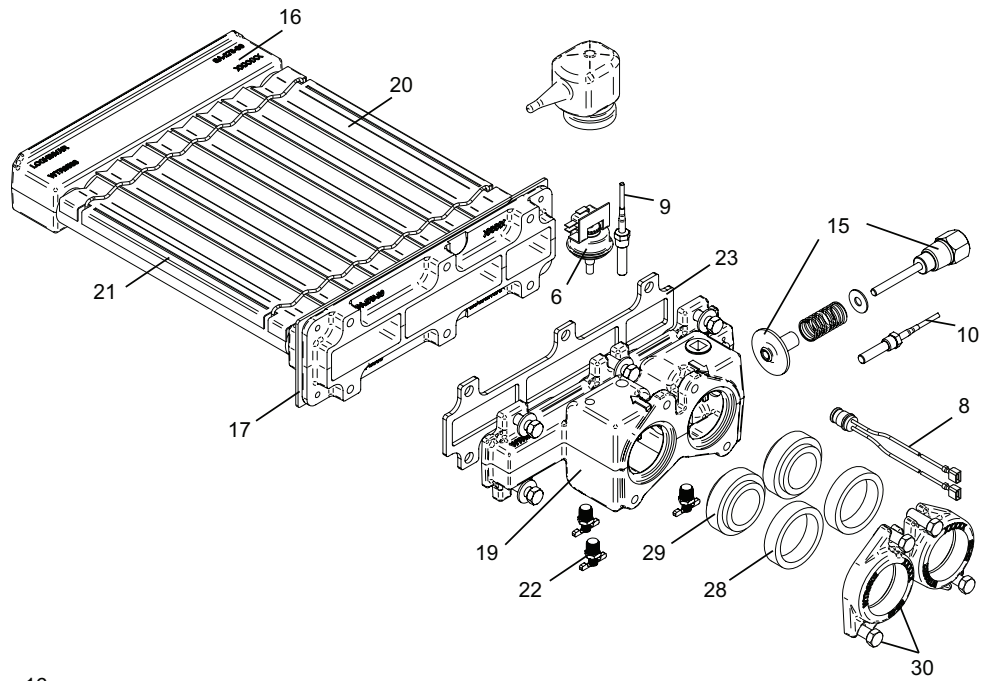
**EnergyRite®**  
*Pool & Spa Heater*  
**Residential Pool Heaters**  
**ER(N, L) 152-402**



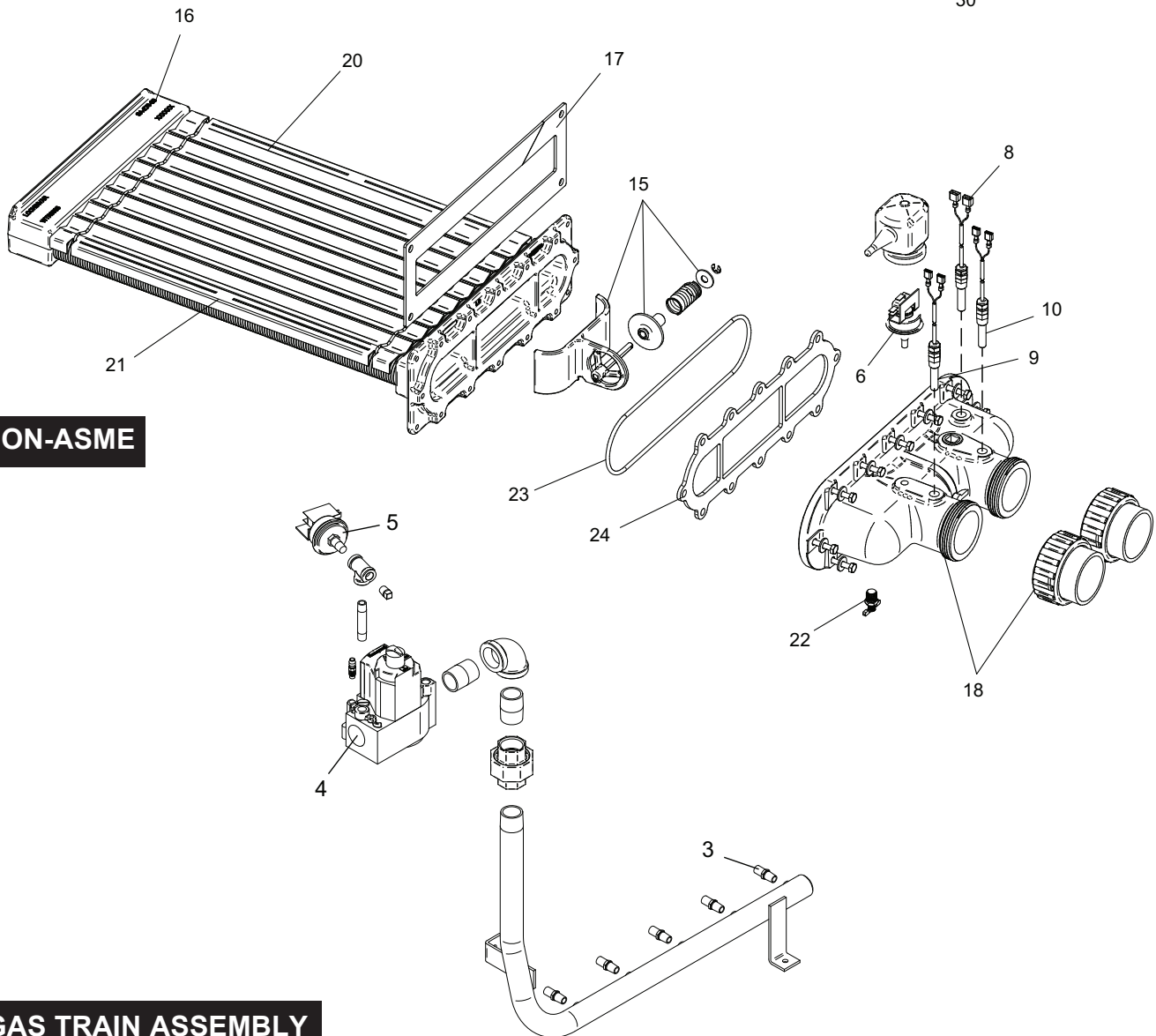
IMG00955

# HEAT EXCHANGER ASSEMBLIES

**ASME**



**NON-ASME**



**GAS TRAIN ASSEMBLY**

| ITEM NO.   | PART NO.                                    | DESCRIPTION   | MODEL NO.         |
|--|---|---|-------------------|
| <b>BURNERS</b>   |   |   |                   |
| 1  | 100135300<br>MAIN BURNER                    | 100135300   | 100135299         |
|  |   | 2   | 1                 |
|  |   | 3   | 1                 |
|  | 100135299<br>MAIN BURNER W/<br>PRESSURE TAP | 4   | 1                 |
|  |   | 5   | 1                 |
|  |   | 7   | 1                 |
| <b>GAS TRAIN ASSEMBLIES</b>                                    |   |   |                   |
| 2  | 100233587                                   | GASKET, BURNER  | ALL               |
| 3  | 100208348                                   | ORIFICE, NATURAL                                      | ALL               |
| 3  | 100208345                                   | ORIFICE, LP   | ALL               |
| 4  | 100172022                                   | GAS VALVE, NATURAL                                    | ALL               |
| 4  | 100208608                                   | GAS VALVE, LP   | ALL               |
| 5  | 100208389                                   | SWITCH, GAS PRESSURE, NATURAL                         | ER 252 - 402      |
| <b>CONTROLS &amp; GAUGES</b>                                   |   |   |                   |
| 6  | 100166256*                                  | PRESSURE SWITCH, 1-5 PSI                              | ALL               |
| 7  | 100166258*                                  | PRESSURE SWITCH, 1.35" WATER COLUMN                   | ALL               |
| 8  | 100148403*                                  | HIGH LIMIT ASSEMBLY, 175 DEG                          | ALL ASME          |
| 8  | 100208570*                                  | HIGH LIMIT OVER TEMP                                  | ALL NON-ASME      |
| 9  | 100208553*                                  | INLET SENSOR  | ALL               |
| 10   | 100208548*                                  | OUTLET SENSOR   | ALL               |
| 11   | 100286274*                                  | SEALED INTEGRATED CONTROL                             | ALL               |
| 12   | 100165932*                                  | IGNITOR, SPARK  | ALL               |
| 13   | 100165921*                                  | FLAME SENSOR  | ALL               |
| 14   | 100277852                                   | TRANSFORMER, 120/240V TO 24 V                         | ALL               |
| 15   | 100163257                                   | BYPASS ASSEMBLY                                       | ER 152 - 302 ASME |
| 15   | 100163258                                   | BYPASS ASSEMBLY                                       | ALL NON-ASME      |
| 15   | 100163221                                   | BYPASS ASSEMBLY                                       | ER 402 ASME       |
| <b>HEAT EXCHANGERS</b>   |   |   |                   |
| 16   | 100147463                                   | HEAT EXCHANGER, NON-ASME, 150MBH                      | ER 152            |
| 16   | 100147464                                   | HEAT EXCHANGER, NON-ASME, 200MBH                      | ER 202            |
| 16   | 100147465                                   | HEAT EXCHANGER, NON-ASME, 250MBH                      | ER 252            |
| 16   | 100147466                                   | HEAT EXCHANGER, NON-ASME, 300MBH                      | ER 302            |
| 16   | 100147467                                   | HEAT EXCHANGER, NON-ASME, 400MBH                      | ER 402            |
| 16   | 100147478                                   | CUPRO NICKEL HEAT EXCHANGER, NON-ASME, 150MBH         | ER 152            |
| 16   | 100147479                                   | CUPRO NICKEL HEAT EXCHANGER, NON-ASME, 200MBH         | ER 202            |
| 16   | 100147480                                   | CUPRO NICKEL HEAT EXCHANGER, NON-ASME, 250MBH         | ER 252            |
| 16   | 100147487                                   | CUPRO NICKEL HEAT EXCHANGER, NON-ASME, 300MBH         | ER 302            |
| 16   | 100147488                                   | CUPRO NICKEL HEAT EXCHANGER, NON-ASME, 400MBH         | ER 402            |
| 16   | 100147468                                   | HEAT EXCHANGER, ASME, 150MBH                          | ER 152            |
| 16   | 100147469                                   | HEAT EXCHANGER, ASME, 200MBH                          | ER 202            |
| 16   | 100147470                                   | HEAT EXCHANGER, ASME, 250MBH                          | ER 252            |
| 16   | 100147471                                   | HEAT EXCHANGER, ASME, 300MBH                          | ER 302            |
| 16   | 100147472                                   | HEAT EXCHANGER, ASME, 400MBH                          | ER 402            |
| 16   | 100147473                                   | CUPRO NICKEL HEAT EXCHANGER, ASME, 150MBH             | ER 152            |
| 16   | 100147474                                   | CUPRO NICKEL HEAT EXCHANGER, ASME, 200MBH             | ER 202            |
| 16   | 100147475                                   | CUPRO NICKEL HEAT EXCHANGER, ASME, 250MBH             | ER 252            |
| 16   | 100147476                                   | CUPRO NICKEL HEAT EXCHANGER, ASME, 300MBH             | ER 302            |
| 16   | 100147477                                   | CUPRO NICKEL HEAT EXCHANGER, ASME, 400MBH             | ER 402            |
| 16   | 100330564                                   | HEAT EXCHANGER, NON-ASME, 150MBH, BRONZE              | ER 152            |
| 16   | 100330565                                   | HEAT EXCHANGER, NON-ASME, 200MBH, BRONZE              | ER 202            |
| 16   | 100330566                                   | HEAT EXCHANGER, NON-ASME, 250MBH, BRONZE              | ER 252            |
| 16   | 100330567                                   | HEAT EXCHANGER, NON-ASME, 300MBH, BRONZE              | ER 302            |
| 16   | 100330568                                   | HEAT EXCHANGER, NON-ASME, 400MBH, BRONZE              | ER 402            |
| 16   | 100330604                                   | CUPRO NICKEL HEAT EXCHANGER, NON-ASME, 150MBH, BRONZE | ER 152            |
| 16   | 100330605                                   | CUPRO NICKEL HEAT EXCHANGER, NON-ASME, 200MBH, BRONZE | ER 202            |
| 16   | 100330606                                   | CUPRO NICKEL HEAT EXCHANGER, NON-ASME, 250MBH, BRONZE | ER 252            |
| 16   | 100330607                                   | CUPRO NICKEL HEAT EXCHANGER, NON-ASME, 300MBH, BRONZE | ER 302            |
| 16   | 100330608                                   | CUPRO NICKEL HEAT EXCHANGER, NON-ASME, 400MBH, BRONZE | ER 402            |
| 16   | 100331362                                   | HEAT EXCHANGER, ASME, 150MBH, BRONZE                  | ER 152            |
| 16   | 100331365                                   | HEAT EXCHANGER, ASME, 200MBH, BRONZE                  | ER 202            |
| 16   | 100331366                                   | HEAT EXCHANGER, ASME, 250MBH, BRONZE                  | ER 252            |
| 16   | 100331367                                   | HEAT EXCHANGER, ASME, 300MBH, BRONZE                  | ER 302            |
| 16   | 100331368                                   | HEAT EXCHANGER, ASME, 400MBH, BRONZE                  | ER 402            |
| <b>PLEASE HAVE MODEL AND SERIAL NUMBER WHEN ORDERING PARTS</b> |   |   |                   |
| <b>*ITEMS DENOTE SUGGESTED INVENTORY PARTS</b>                 |   |   |                   |

| ITEM NO.                           | PART NO.          | DESCRIPTION   | MODEL NO.    |
|------------------------------------|-------------------|---|--------------|
| <b>HEAT EXCHANGERS (CONTINUED)</b> |                   |   |              |
| 16                                 | 100331372         | CUPRO NICKEL HEAT EXCHANGER, ASME, 150MBH, BRONZE       | ER 152       |
| 16                                 | 100331373         | CUPRO NICKEL HEAT EXCHANGER, ASME, 200MBH, BRONZE       | ER 202       |
| 16                                 | 100331374         | CUPRO NICKEL HEAT EXCHANGER, ASME, 250MBH, BRONZE       | ER 252       |
| 16                                 | 100331375         | CUPRO NICKEL HEAT EXCHANGER, ASME, 300MBH, BRONZE       | ER 302       |
| 16                                 | 100331376         | CUPRO NICKEL HEAT EXCHANGER, ASME, 400MBH, BRONZE       | ER 402       |
| 17                                 | <b>100208106*</b> | GASKET, HEAT SHIELD                                     | ALL ASME     |
| 17                                 | <b>100277728*</b> | GASKET, HEAT SHIELD                                     | ALL NON-ASME |
| 18                                 | 100173746         | HEADER WITH CONNECTION KIT                              | ALL NON-ASME |
| -                                  | 100173757         | HEADER CONNECTION KIT                                   | ALL NON-ASME |
| 19                                 | 100294596         | FRONT HEADER  | ALL ASME     |
| 19                                 | 100331389         | FRONT HEADER, BRONZE                                    | ALL ASME     |
| <b>MISCELLANEOUS</b>               |                   |   |              |
| 20                                 | 100290356         | V-BAFFLE (6 PER HEX)                                    | ER 152       |
| 20                                 | 100290357         | V-BAFFLE (6 PER HEX)                                    | ER 202       |
| 20                                 | 100290358         | V-BAFFLE (6 PER HEX)                                    | ER 252       |
| 20                                 | 100276812         | V-BAFFLE (6 PER HEX)                                    | ER 302       |
| 20                                 | 100290359         | V-BAFFLE (6 PER HEX)                                    | ER 402       |
| 21                                 | 100152226         | FRAME RUNNER (2 PER HEX)                                | ER 152       |
| 21                                 | 100152227         | FRAME RUNNER (2 PER HEX)                                | ER 202       |
| 21                                 | 100152228         | FRAME RUNNER (2 PER HEX)                                | ER 252       |
| 21                                 | 100152229         | FRAME RUNNER (2 PER HEX)                                | ER 302       |
| 21                                 | 100152230         | FRAME RUNNER (2 PER HEX)                                | ER 402       |
| 22                                 | 100233423         | DRAIN COCK  | ALL          |
| 23                                 | <b>100233730*</b> | GASKET, HEADER  | ALL ASME     |
| 23                                 | <b>100233722*</b> | GASKET, HEADER  | ALL NON-ASME |
| 24                                 | <b>100290348*</b> | GASKET, HEADER  | ALL NON-ASME |
| 25                                 | 100145011         | COMBUSTION AIR FAN                                      | ER 152       |
| 25                                 | 100145012         | COMBUSTION AIR FAN                                      | ER 202 - 402 |
| 26                                 | <b>100233675*</b> | GASKET, FAN   | ALL          |
| 27                                 | 100288472         | ON/OFF SWITCH   | ALL          |
| 28                                 | 100208100         | GASKET, FLANGE, 2" (SOLD AS QTY 1)                      | ALL ASME     |
| 29                                 | 100208754         | GASKET, FLANGE, 1-1/2" (SOLD AS QTY 1)                  | ALL ASME     |
| 30                                 | 100288537         | FLANGE KIT (CONTAINS 2 FLANGES, 2 GASKETS, & 4 BOLTS)   | ALL ASME     |
| 31                                 | <b>100163259*</b> | SIGHT GLASS KIT   | ALL          |
| -                                  | 100146604         | GASKET STRIP, FIBERGLASS, WHITE                         | ALL          |
| -                                  | 100163202         | TUBING, EPDM, 1/4"                                      | ALL          |
| -                                  | 100208097         | ESCUTCHEON GASKET, 3/4"                                 | ALL          |
| -                                  | 100146588         | GASKET, PVC - 1/4" X 5/8" BLACK                         | ALL          |
| -                                  | 100146589         | GASKET, TAPE, 1/4" X 5/8" X 15' SILICONE SPONGE         | ALL          |
| -                                  | 100208454         | RELIEF VALVE, 3/4", 50 PSI                              | ALL ASME     |
| -                                  | 100208454         | RELIEF VALVE, 3/4", 50 PSI                              | ALL NON-ASME |
| -                                  | 100163209         | SILICONE TUBING   | ALL          |
| <b>LOCH-HEAT TILE</b>              |                   |   |              |
| 32                                 | 100145548         | INSULATION, FRONT-HEAD SIDE PANEL                       | ALL          |
| 33                                 | 100145549         | INSULATION, REAR-HEAD SIDE PANEL                        | ALL          |
| 34                                 | 100145497         | INSULATION, BACK PANEL                                  | ER 152       |
| 34                                 | 100145501         | INSULATION, BACK PANEL                                  | ER 202       |
| 34                                 | 100145504         | INSULATION, BACK PANEL                                  | ER 252       |
| 34                                 | 100145507         | INSULATION, BACK PANEL                                  | ER 302       |
| 34                                 | 100145510         | INSULATION, BACK PANEL                                  | ER 402       |
| 35                                 | 100145719         | INSULATION, TOP   | ER 152       |
| 35                                 | 100145720         | INSULATION, TOP   | ER 202       |
| 35                                 | 100145721         | INSULATION, TOP   | ER 252       |
| 35                                 | 100145722         | INSULATION, TOP   | ER 302       |
| 35                                 | 100145729         | INSULATION, TOP   | ER 402       |
| 36                                 | 100145498         | INSULATION, BOTTOM PANEL                                | ER 152       |
| 36                                 | 100145502         | INSULATION, BOTTOM PANEL                                | ER 202       |
| 36                                 | 100145505         | INSULATION, BOTTOM PANEL                                | ER 252       |
| 36                                 | 100145508         | INSULATION, BOTTOM PANEL                                | ER 302       |
| 36                                 | 100145511         | INSULATION, BOTTOM PANEL                                | ER 402       |
| 37                                 | 100145499         | INSULATION, FRONT PANEL (PRIOR TO SERIAL #A10H00223978) | ER 152       |
| 37                                 | 100145503         | INSULATION, FRONT PANEL (PRIOR TO SERIAL #A10H00223978) | ER 202       |
| 37                                 | 100145506         | INSULATION, FRONT PANEL (PRIOR TO SERIAL #A10H00223978) | ER 252       |

PLEASE HAVE MODEL AND SERIAL NUMBER WHEN ORDERING PARTS  
\*ITEMS DENOTE SUGGESTED INVENTORY PARTS

| ITEM NO.                          | PART NO.  | DESCRIPTION  | MODEL NO. |
|-----------------------------------|-----------|--|-----------|
| <b>LOCH-HEAT TILE (CONTINUED)</b> |           |  |           |
| 37                                | 100145509 | INSULATION, FRONT PANEL (PRIOR TO SERIAL #A10H00223978)  | ER 302    |
| 37                                | 100145512 | INSULATION, FRONT PANEL (PRIOR TO SERIAL #A10H00223978)  | ER 402    |
| 37                                | 100145326 | INSULATION, FRONT PANEL (BEGINNING SERIAL #A10H00223978) | ER 152    |
| 37                                | 100145327 | INSULATION, FRONT PANEL (BEGINNING SERIAL #A10H00223978) | ER 202    |
| 37                                | 100145332 | INSULATION, FRONT PANEL (BEGINNING SERIAL #A10H00223978) | ER 252    |
| 37                                | 100145333 | INSULATION, FRONT PANEL (BEGINNING SERIAL #A10H00223978) | ER 302    |
| 37                                | 100145334 | INSULATION, FRONT PANEL (BEGINNING SERIAL #A10H00223978) | ER 402    |
|                                   |           |  |           |

PLEASE HAVE MODEL AND SERIAL NUMBER WHEN ORDERING PARTS  
\*ITEMS DENOTE SUGGESTED INVENTORY PARTS

# NOTES

# NOTES

