

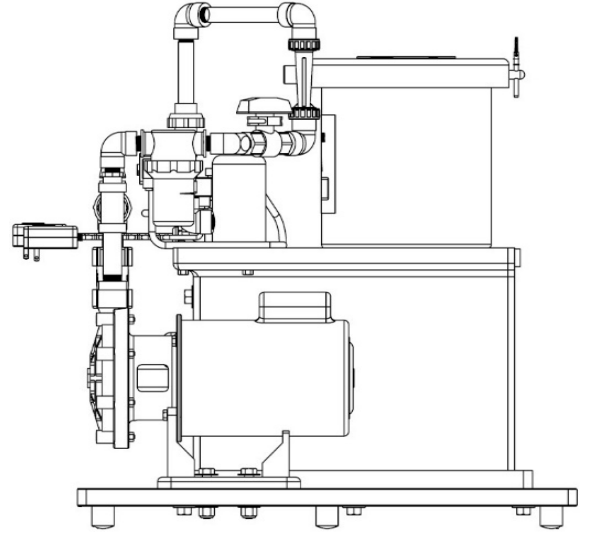
VANTAGE ACF-18

Skid Mounted Model E023018SVTG



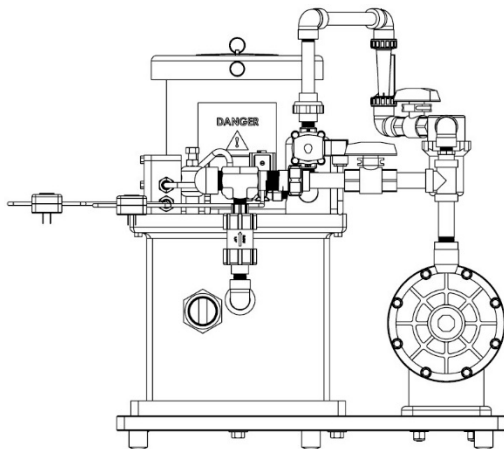
Specifications

- Materials
 - Tanks: Polyethelene
 - Various: PVC
 - Solenoid: Brass, Viton, EPDM
- Dimensions
- Weight Empty 95 lbs
- Weight Full 113 lbs
- Operating Temperature 30-104°F
- Inlet Pressure 10-45 psi
- Tablet Capacity 18 lbs.
- Maximum Chlorine Output 14.6 lbs.
(available chlorine per day)



Electrical

- Inlet solenoid Valve 115 VAC for included power supply
- Chlorine feed solenoid valve 115 VAC for included power supply or 12 VDC from pool controller
- Booster Pump 115 or 230 VAC
Interlock to pool circulation pump



Plumbing Connections

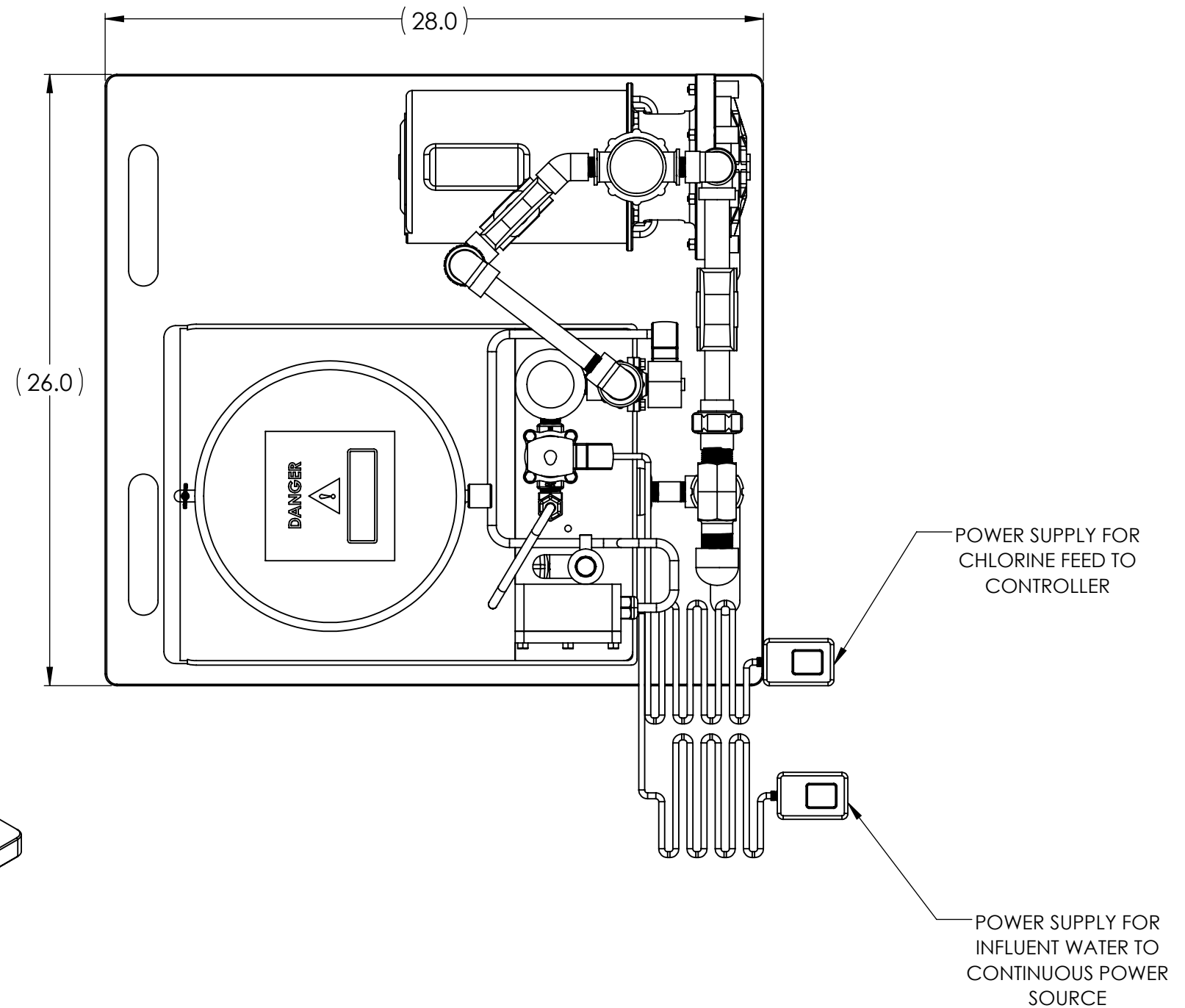
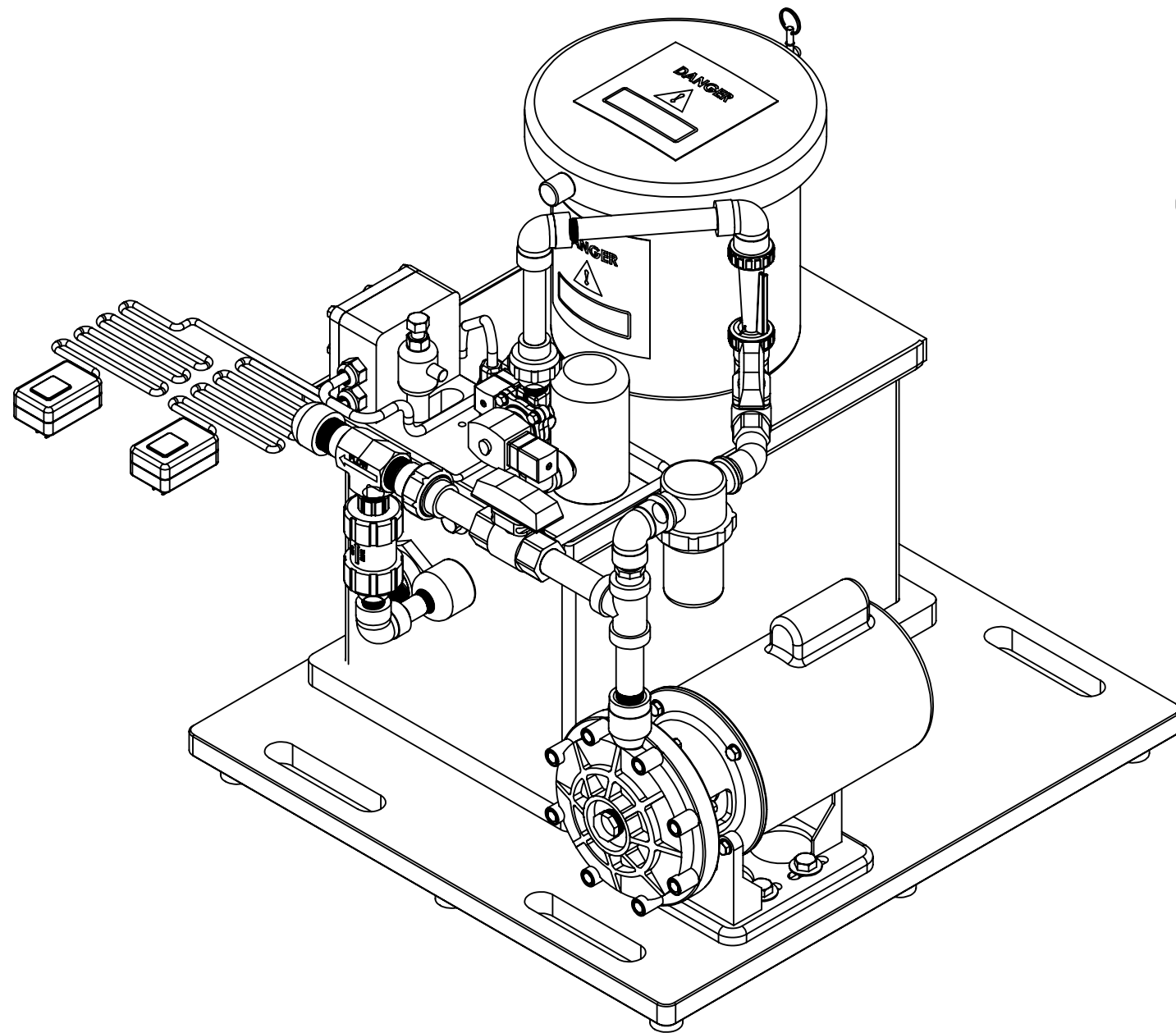
- Skid pack supply 1" slip PVC
- Skid pack effluent 1" slip PVC
- Manual overflow to drain 1" female NPT

Certifications

- Vantage ACF-18 Feeder



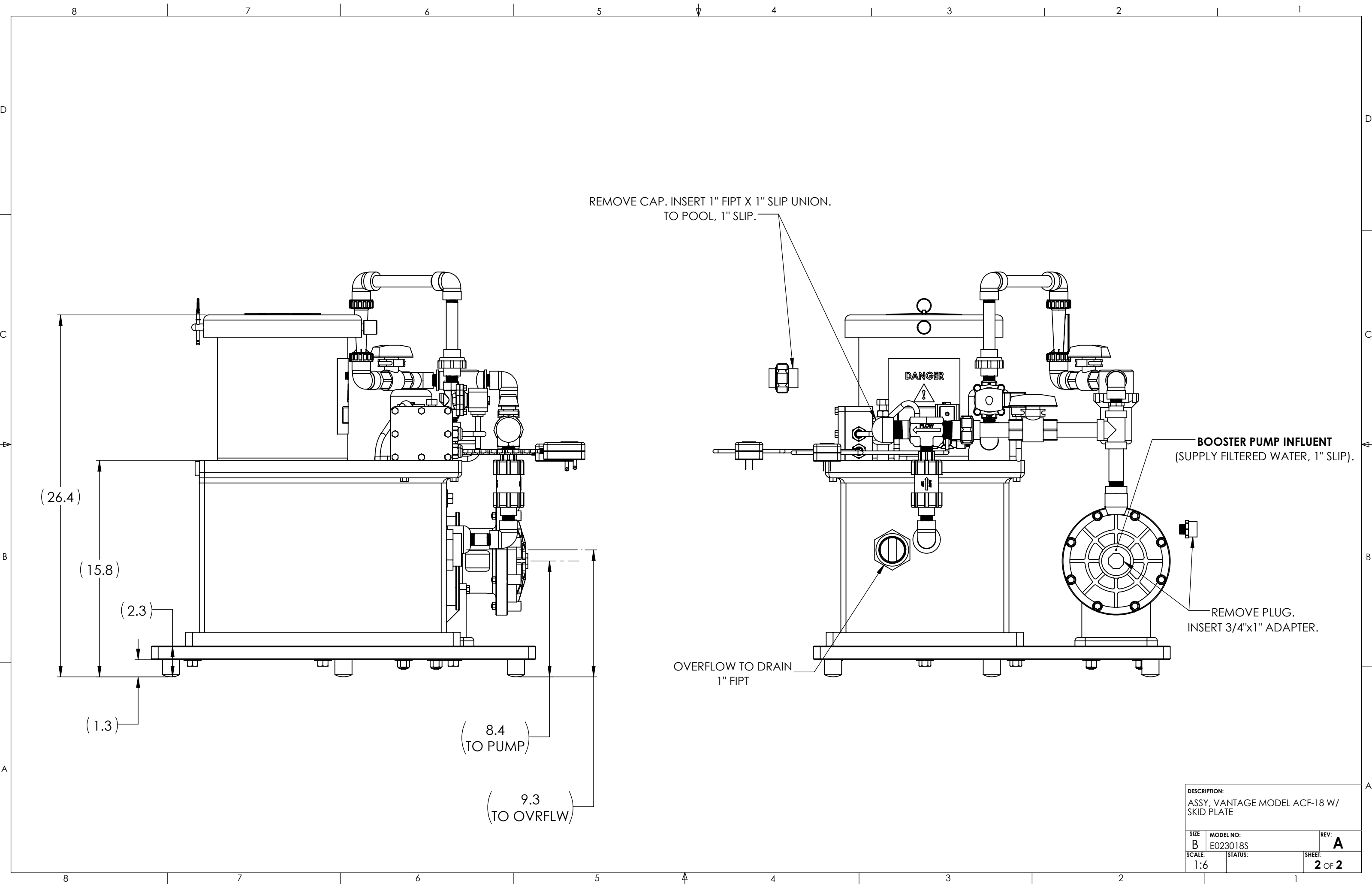
Certified to
NSF/ANSI Standard 50



NOTES:

1. INSTALL ITEMS AS SHOWN IN SCHEMATIC. ADDITIONAL INFORMATION FOUND IN I&O MANUAL.
2. WEIGHT EMPTY: 95 LBS
3. WEIGHT FULL: 113 LBS
4. BOOSTER PUMP ELECTRICAL: 115V/12.8A OR 230V/6.8A (OPERATING, NOT PEAK) SELECTOR SWITCH ON MOTOR.

DESCRIPTION: ASSY, VANTAGE MODEL ACF-18 W/ SKID PLATE			
MATERIAL: SEE BOM		AllChem Performance Products 416 South Main Street Corsicana, TX 75110	
<small>PROPRIETARY AND CONFIDENTIAL</small>			
<small>THE INFORMATION CONTAINED IN THIS DRAWING IS THE SOLE PROPERTY OF ALL CHEM PERFORMANCE PRODUCTS. ANY REPRODUCTION IN PART OR AS A WHOLE WITHOUT THE WRITTEN PERMISSION OF ALL CHEM PERFORMANCE IS PROHIBITED.</small>			
SIZE B	MODEL NUMBER: E023018S	REV: A	
SCALE: 1:6	STATUS:	SHEET: 1 OF 2	
<small>© 2016 ALL CHEM PERFORMANCE</small>			



DESCRIPTION:		
ASSY, VANTAGE MODEL ACF-18 W/ SKID PLATE		
SIZE	MODEL NO:	REV:
B	E023018S	A
SCALE:	STATUS:	SHEET:
1:6		2 OF 2