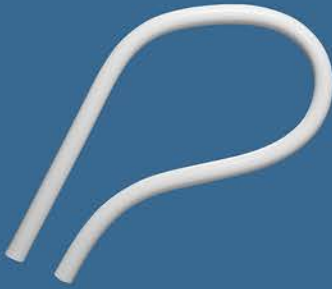


SĀFTRON

Ring Rail and Pretzel Return to Deck Rail



Features

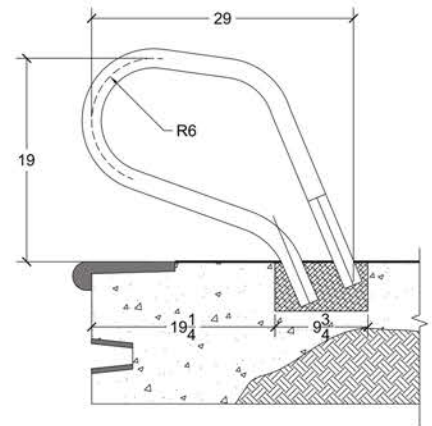
- High impact polymer exterior
- Galvanized steel reinforced interior
- Tubing: 1.90" OD, 1.38" ID
- Bends: 6" radius
- Wall thickness: .25"

Model	Description	Shipping Wt.	L	W	H
P-329	29" W x 19" H, 3 Bend	9 lbs.	36"	21"	2"
P-329-Z	29" W x 29" H, 3 Bend	19 lbs. -box 1 19 lbs. -box 2	43"	38"	2"
P-429-Z	29" W x 29" H, 4 Bend	20 lbs. -box 1 20 lbs. -box 2	43"	38"	2"

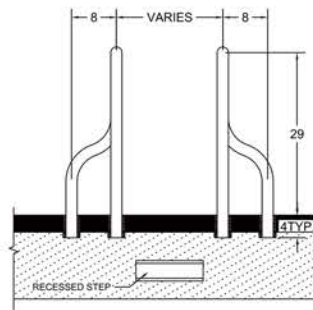
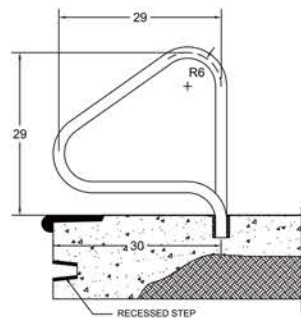
All measurements on center. Escutcheons are included with Pretzel rails. Ring rail must be core grouted only. Pretzel rails must be core grouted or anchor socket mounted only. Pretzel rails are sold in pairs. When ordering, add the color to the end of the model number: (W) White, (B) Beige, (G) Gray, (T) Taupe, (BK) Black. Safron ladders and rails are available in custom bends, sizes, and colors.



P-329 POOL RAIL



P-329-Z POOL RAIL



P-429-Z POOL RAIL

