

SAFTRON

Figure 4 Return-to-Deck 3 Bend Handrails



Features

- High impact polymer exterior
- Classic Style- Galvanized steel reinforced interior
- Fully Reinforced- Aluminum reinforced interior
- Tubing: 1.90" OD, 1.38" ID
- Bends: 6" radius
- Wall thickness: .25"

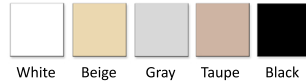
Classic Style

Model	Description	Shipping Wt.	L	W	H
P-326-RTD	26" W x 30" H, 3 Bend	14 lbs.	36"	28"	2"
P-330-RTD	30" W x 30" H, 3 Bend	15 lbs.	36"	32"	2"
P-340-RTD	40" W x 32" H, 3 Bend	16 lbs.	43"	38"	2"
P-348-RTD	48" W x 32" H, 3 Bend	24 lbs.	50"	38"	2"

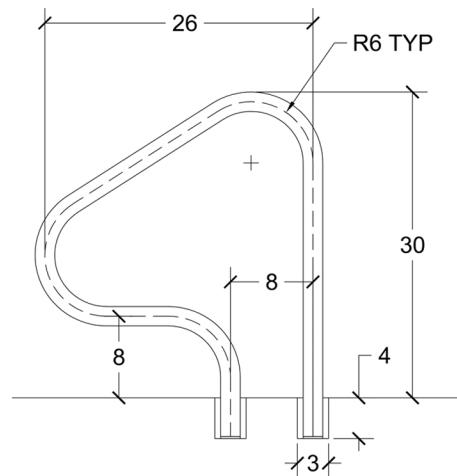
Fully Reinforced

Model	Description	Shipping Wt.	L	W	H
RTD-340	40" W x 32" H, 3 Bend	13.5 lbs.	43"	38"	2"
RTD-348	48" W x 32" H, 3 Bend	17.5 lbs.	50"	38"	2"

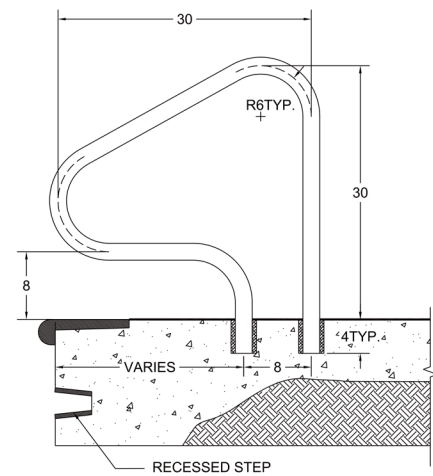
All measurements on center. Escutcheons are included. When ordering, add the color to the end of the model number: (W) White, (B) Beige, (G) Gray, (T) Taupe, (BK) Black. Saftron ladders and rails are available in custom bends, sizes, and colors.



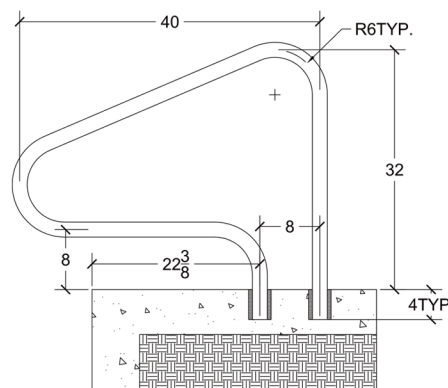
P-326-RTD POOL RAIL



P-330-RTD POOL RAIL



**RTD-340
P-340-RTD POOL RAIL**



**RTD-348
P-348-RTD POOL RAIL**

