

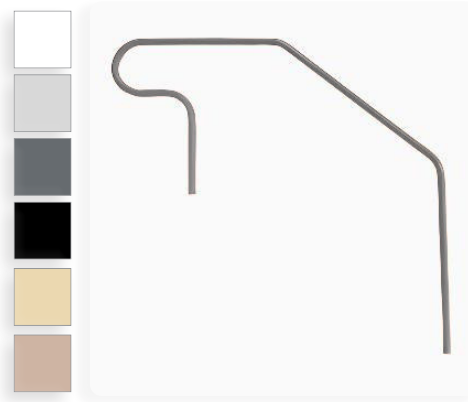
ADA 3-Bend Stair Rail

Details

SĀFTRON ADA compliant 3-Bend Deck-to-Pool Stair Rail features a fully reinforced, marine-grade aluminum core and is sleeved with our signature high-impact-resistant polymer. These rails offer excellent durability in harsh environments. Withstands chlorine, saltwater, and ultraviolet rays for years to come.

Features

- High impact polymer exterior
- Fully reinforced aluminum interior
- Does not require grounding or bonding
- Tubing: 1.90" OD, 1.38" ID
- Wall Thickness: 0.25"

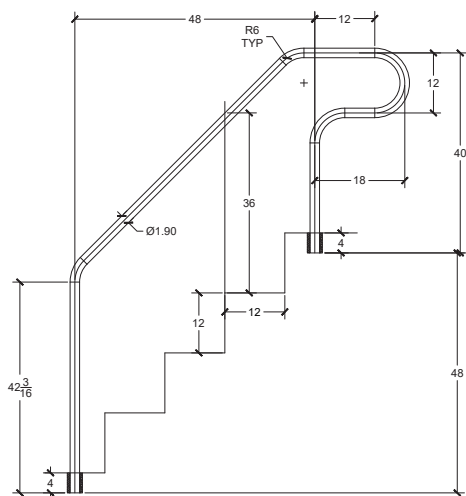


Models & Ordering

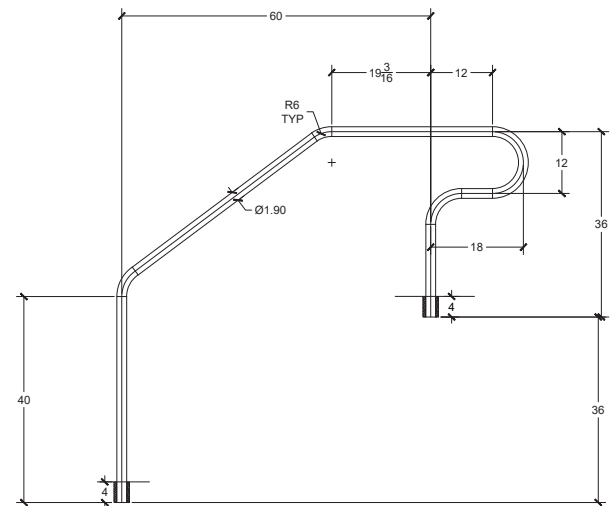
Model	Description	Shipping			
		Weight	L	W	H
ADA DTP-348	48" W x 32" H	18 lbs	108"	33"	3"
ADA DTP-360	60" W x 32" H	20 lbs	103"	43"	3"
ADA DTP-366	66" W x 32" H	21 lbs	107"	43"	3"
ADA DTP-372	72" W x 32" H	22 lbs	112"	43"	3"
ADA DTP-378	78" W x 34" H	23 lbs	115"	49"	3"
ADA DTP-384	84" W x 34" H	24 lbs	123"	52"	3"

All measurements on center. Escutcheons are included. When ordering, add the color to the end of the model number: (W) White, (B) Beige, (T) Taupe, (G) Light Gray, (GG) Graphite Gray, (BK) Black. Ladders and rails are available in custom bends, sizes, and colors.

Dimensional Drawings



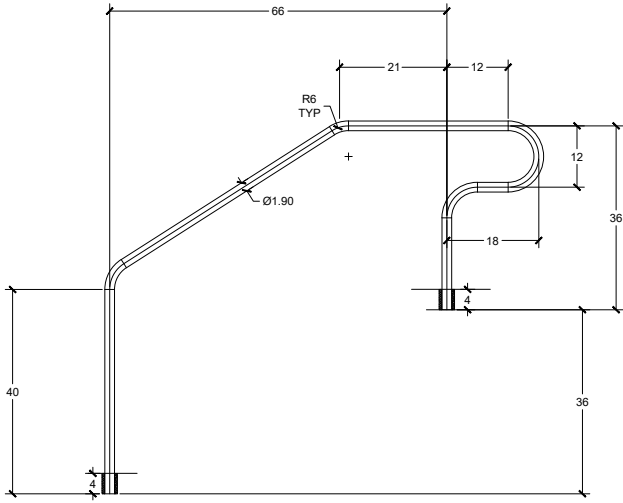
ADA DTP-348



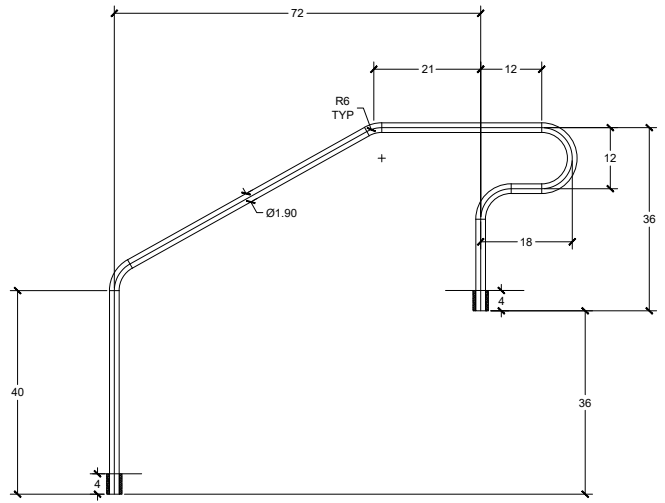
ADA DTP-372

ADA 3-Bend Stair Rail

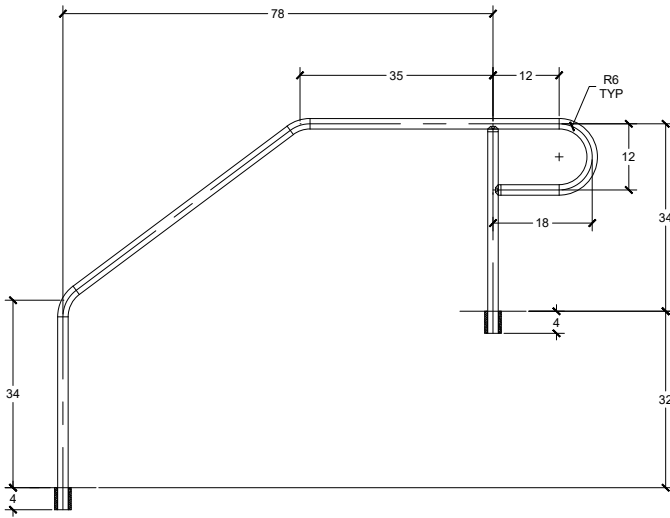
Dimensional Drawings (Continued)



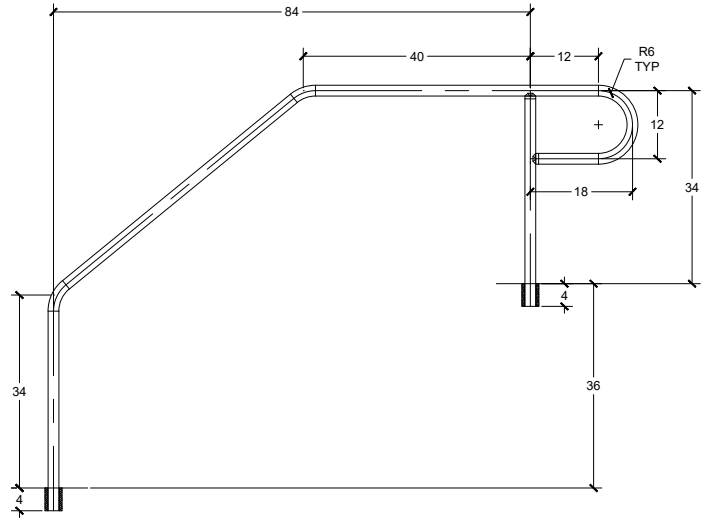
ADA DTP-366



ADA DTP-372



ADA DTP-378



ADA DTP-384