

# GLOBAL LIFT CORP



## Owner's Manual

### Home Series



684 N Port Crescent Rd  
Suite C

Bad Axe, MI 48413

Toll Free: 866-712-0606

Fax: 989-269-5902

[www.globalliftcorp.com](http://www.globalliftcorp.com)



*HOME SERIES POOL LIFTS*

*TABLE OF CONTENTS*

<b>INTRODUCTION</b>	<b>PAGE – 3</b>
<b>ADA GUIDELINES FOR PLACEMENT</b>	<b>PAGE – 4</b>
<b>24 VOLT BATTERY SYSTEM/WITH CONTROLS</b>	<b>PAGE – 5</b>
<b>HOME SERIES OPERATING INSTRUCTIONS</b>	<b>PAGE – 6</b>
<b>UNIT MAINTENANCE AND CARE</b>	<b>PAGE – 7</b>
<b>TROUBLESHOOTING</b>	<b>PAGE – 8</b>
<b>WARRANTY INFORMATION</b>	<b>PAGE – 9/10/11</b>
<b>WARRANTY REGISTRATION</b>	<b>PAGE - 12</b>
<b>NEW CONSTRUCTION ANCHOR INSTALLATION</b>	
<b>FIXED ANCHOR INSTALLATION</b>	
<b>SEAT INSTALLATION INSTRUCTIONS</b>	
<b>PARTS LIST</b>	



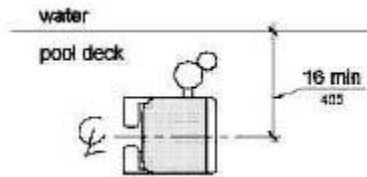
## **INTRODUCTION**

# **Your Number One Choice for Commercial Pool Access Equipment**

Global Lift Corp. is located in Mid Michigan, Global Lift Corp. prides itself in manufacturing top of line quality aquatic access equipment. Global Lift Corp.'s key staff has a century of combined industry experience and we take pride in each and every product that we build. Our Company is ISO Certified and our products are manufactured in the United States. Global Lift Corp uses only the finest materials and processes to provide our customers with the highest quality products while still maintaining a price competitive edge.

## ADA GUIDELINES FOR POOL LIFT PLACEMENT

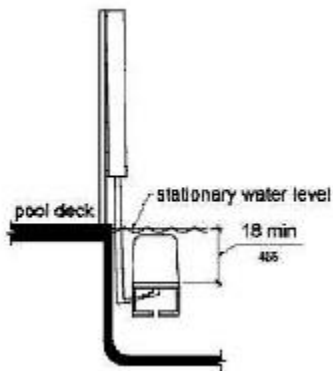
1. Pool Lift Location. Pool lifts shall be located where the water level does not exceed 48 inches (1220 mm).
2. Seat Location. In the raised position, the centerline of the seat shall be located over the deck and 16 inches (405 mm) minimum from the edge of the pool. The deck surface between the centerline of the seat and the pool edge shall have a slope not steeper than 1:48.



3. Clear Deck Space. On the side of the seat opposite the water, a clear deck space shall be provided parallel with the seat. The space shall be 36 inches (915 mm) wide minimum and shall extend forward 48 inches (1220 mm) minimum from a line located 12 inches (305 mm) behind the rear edge of the seat. The clear deck space shall have a slope not steeper than 1:48.



4. Submerged Depth. The lift shall be designed so that the seat will submerge to a water depth of 18 inches (455 mm) minimum below the stationary water level. To make sure the lift has enough clearance the lift should be installed at a location with 48" of Water depth



## *24 VOLT BATTERY SYSTEMS WITH CONTROLS*

All of Global Lift Corp's Home Series Lifts are equipped with a sealed 24 volt battery that is rechargeable. Along with a charging unit, hand held controller and control compartment. The 24 volt battery mounts right in the control compartment and the battery simply snaps in. The battery should be charged for 5-8 hours prior to the 1<sup>st</sup> use. The dock is used for this charging process.

The unit is operated by the 2 button easy to use controls. The arrow pointing down will lower the lift when depressed, the arrow that points up will raise the unit when depressed. If you hear the low battery indicator tone, "Do Not Use the Lift" remove the battery from the unit and recharge the battery.

### RECHARGING THE BATTERY:

Remove battery from the unit by unclipping from the control compartment. When setting the battery down, place it horizontally as to avoid contacting the battery terminals with anything conductive, and damaging the battery. Place the battery in the charging unit. When the battery is charging the light will be illuminated amber/orange, indicating charging. Once fully charged the charge light will turn green, indicating fully charged and ready for use in your Home series pool lift.



## ***HOME SERIES POOL LIFT OPERATING INSTRUCTIONS***

Insert the battery into the lift and push to click in place. Turn the emergency stop button on top of the unit clockwise to ensure it is in the on position.

Prior to using the Home Series Pool Lift perform a test run of the lift empty. Once that is completed and the lift is back to original position, make sure that the arm lifts are in the up position and the seatbelt is unbuckled, once acknowledged you are ready!

Once you are in the seat, buckle the seatbelt (make sure it is snug) and lower the arm rails if installed. Before you attempt to operate the lift, make sure the pathway is clear from any obstacles.

Once you have the 2 button easy controls in your hand, press the arrow that specifies down, keep in mind you don't have to go to the bottom of the cycle, you can stop the lift whenever you deem comfortable to exit the lift. However when exiting the pool while on the lift, you should complete the cycle back to the top to have a completely safe exit from the pool.

Once submerged into the pool, unbuckle the seatbelt and raise the armrest if installed, and slide off of the seat. Once you are done with your pool activity, make sure the seat is lowered sufficiently to allow you too easily slide back into the chair. Once you are seated, buckle the seatbelt and make sure that it is snug, lower the armrest if installed.

Next, to raise the lift chair out of the pool, make sure you press the button/arrow that represents up on the control. Apply continuous pressure until the lift comes to a complete stop at the end of the complete up cycle on the deck. You now can unbuckle the seatbelt and raise the arm rest if installed and exit the unit.



# Maintenance

Regular servicing will help prolong the life of your lift. Routine maintenance and cleaning is very important. The following is a routine maintenance you should follow.

## Daily

- Check and charge battery if needed
- Test for normal operations
- Inspect your lift
- Clean and dry the lift and seat with clean water
- Cover lift after use

## Weekly

- Overview Daily Checklist
- Wipe away any surface rust with household spray cleaner
- Clean tough stains with Scotchbrite pad and wipe clean

## Monthly

- Inspects all connections, frame, seat etc,
- Clean battery connections
- Clean metallic surfaces with wax cleaner

The maintenance provision of the ADA states that "a public accommodation shall maintain in operable working condition those features of facilities and equipment that are required to be readily accessible to and usable by persons with disabilities"



## *TROUBLESHOOTING GUIDE*

Before any troubleshooting commences make sure the battery has a full charge!

(1) Does the lift raise or lower

NO

- (a) Check the battery connection and reconnect
- (b) Insure the emergency stop red button is turned clockwise in the up position
- (c) Check hand controls, make sure it is connected properly and fully seated in the far right connection port
- (d) Unplug the actuator, and reconnect the actuator ensuring it is fully seated in the far left connection port
- (e) Check the connection cable for damage
- (f) Check to see if the battery has 24+ volts using a multimeter or volt meter
- (g) Press the handset buttons, and listen for a clicking sound in the control unit below the battery





## Global Lift Corp Warranty Information

The Home series lift has a 1 year structural limited warranty. Global Lift Corp warrants to the original retail end user only products manufactured by Global Lift Corp, when properly installed in accordance to the assembly and installation instructions, and when the equipment is properly *used and maintained, be free from material defects and workmanship as stated below:*

- Warranty starts from date of original purchase
- Metal structure (not including powder coat) 2 years limited structural warranty
- Actuator and controls – 1 years from date of purchase.
- Battery – 90 days from date of purchase

*This warranty does not cover damages to **ANY** of our lifts due to accident, abuse, negligence, misuse, damage by improper use of chemicals, fading, ice damage, fire, rust beyond structural damage( does not cover cosmetic rust), exceeding the weight capacity for model purchased, failure to install or to assemble the product in accordance with the installation and assembly instructions, normal wear and tear from day to day use, not maintained properly, if unit is altered or repaired without written approval of Global Lift Corp – All Warranties are Void.*

To commence the warranty claim process of a Global Lift Corp product, in writing provide place of purchase along with the product name and description, date of installation and a detailed description of the defect, along with a photo of the entire product and claimed defect. Prior to a 30 day period after receiving the written warranty claim by Global Lift Corp and barring any unforeseen delays the claimant will be notified of Global Lift Corp's decision regarding the claim.

If the request made by Global Lift Corp for the product to be returned to its factory or distributor of choice for inspection and/or repair, purchaser will be liable for "Freight Prepaid". Global Lift Corp at its option will replace or repair the defective item and deliver the repaired product or replacement to the buyer of the product, freight prepaid by the purchaser to the destination on file in regards to the original order. Parts and Products returned for replacement to Global Lift Corp shall remain the property of Global Lift Corp under this limited warranty.

A new warranty period shall not be established for any repaired or replaced products. Replaced or repaired products will remain under warranty only for the remainder of the original warranty period for the original product purchased. No person or organization is authorized to make any other specific or implied warranties on behalf of Global Lift Corp.

THE WARRANTIES ARE IN LIEU OF ALL OTHER WARRANTIES, EXPRESSED OR IMPLIED, WHICH ARE HEREBY DISCLAIMED AND EXCLUDED, INCLUDING WITHOUT LIMITATION ANY WARRANTY OF MERCHANTABILITY OR FITNESS FOR A PARTICULAR PURPOSE OR USE.

IN NO EVENT SHALL GLOBAL LIFT CORP BE LIABLE FOR ANY INCIDENTAL, CONSEQUENTIAL, INDIRECT, SPECIAL EXEMPLARY OR PUNITIVE DAMAGES OR LOST PROFITS FROM ANY BREACH OF THIS LIMITED WARRANTY. THE SOLE AND EXCLUSIVE REMEDY OF THIS WARRANTY IN REGARDS TO GLOBAL LIFT CORP'S PRODUCT SHALL BE LIMITED TO REPLACEMENT OR REPAIR AT A GLOBAL LIFT CORP'S FACILITY OR A DULY APPOINTED DISTRIBUTOR'S LOCATION OR AT A GLOBAL LIFT CORP'S DESIGNATED LOCATION. IN NO EVENT SHALL GLOBAL LIFT CORP LIABILITY EXCEED THE ENTIRE AMOUNT PAID TO GLOBAL LIFT CORP BY THE ORIGINAL PURCHASER IN REGARDS TO THE DEFECTIVE OR FAILED PRODUCT.

NO REPRESENTATIVE OF GLOBAL LIFT CORP SUCH AS AGENTS, DISTRIBUTORS AND DEALERS HAS THE AUTHORITY TO ALTER IN ANY FASHION THE TERMS OF THIS WARRANTY AND GLOBAL LIFT CORP IS "NOT" RESPONSIBLE FOR REPRESENTATION, UNDERTAKING OR WARRANTY MADE BY ANY OTHER PERSON BEYOND THE WARRANTIES EXPRESSED SET FORTH IN THIS WARRANTY.

## Warranty Procedure

**Warranty Claims** shall be submitted to Global Lift Corporation by the distributor which originated the sale with Global Lift Corporation or directly to Global Lift Corporation.

All RMA (Return Materials Authorization) documents shall be requested by and issued only to the distributor which originated the sale or directly to Global Lift Corporation.

Global Lift Corporation shall determine warranty coverage validation and replacement parts or repair, which were directed to the distributor which originated the sale or that are initiated directly with Global Lift Corporation.

Warranty claims received from end users by Global Lift Corporation shall be re-directed to the distributor which originated the sale with Global Lift Corporation or processed directly by Global Lift Corporation.



**GLOBAL LIFT CORP  
WARRANTY REGISTRATION  
PURCHASED BY:**

Company

Name: \_\_\_\_\_ Contact: \_\_\_\_\_

City: \_\_\_\_\_ State: \_\_\_\_\_ Zip: \_\_\_\_\_

Phone: (\_\_\_\_) \_\_\_\_\_

**DEALER:**

Name: \_\_\_\_\_ Phone Number \_\_\_\_\_

City: \_\_\_\_\_ State: \_\_\_\_\_ Zip: \_\_\_\_\_

Phone: (\_\_\_\_) \_\_\_\_\_

Model: \_\_\_\_\_ Serial Number: \_\_\_\_\_

Color: \_\_\_\_\_ Purchase Price: \$ \_\_\_\_\_ Date Purchased: \_\_\_\_\_

I have read and I accept the warranty terms.

Signature: \_\_\_\_\_ Date: \_\_\_\_\_

This card must be completed and returned to Global Lift Corp within 30 days of purchase date to assure coverage.

**Please mail to: Global Lift Corp, 684 N Port Crescent Suite C, Bad Axe, MI 48413**

# HOME SERIES LIFTS TABLE OF CONTENTS

1. 4-Point Anchor System
2. 4-Point Paver Instruction Anchor Method



HOME SERIES LIFTS  
H-300/350  
4-POINT ANCHORING SYSTEM  
New Construction or Saw Cut  
INSTALLATION MANUAL

Patent Pending



**HOME SERIES**  
**H-300/350**  
**4-POINT ANCHORING SYSTEM**  
**INSTALLATION**  
Patent Pending

**PARTS LIST**

- ✓ 1 - Anchor Plate with bonding Lug & bolt
- ✓ 4 - 5/8" x 1" Stainless Steel Bolts
- ✓ 4 - 6" Anchoring Rods
- ✓ 4 - Plastic Caps



# ANCHORING PLATE, ANCHORS & BONDING LUG



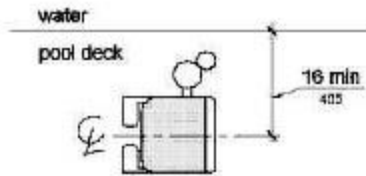
5/8" x 1" Bolts



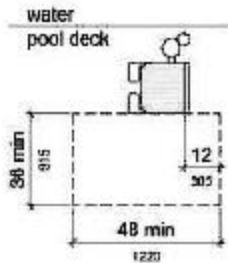


# ADA GUIDELINES FOR POOL LIFT PLACEMENT

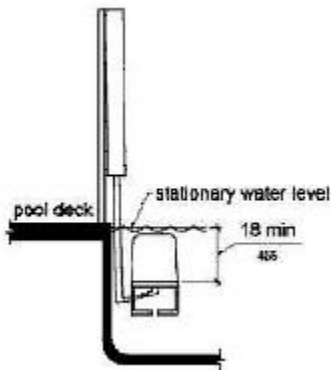
- Pool Lift Location. Pool lifts shall be located where the water level does not exceed 48 inches (1220 mm).  
Seat Location. In the raised position, the centerline of the seat shall be located over the deck and 16 inches (405 mm) minimum from the edge of the pool. The deck surface between the centerline of the seat and the pool edge shall have a slope not steeper than 1:48.



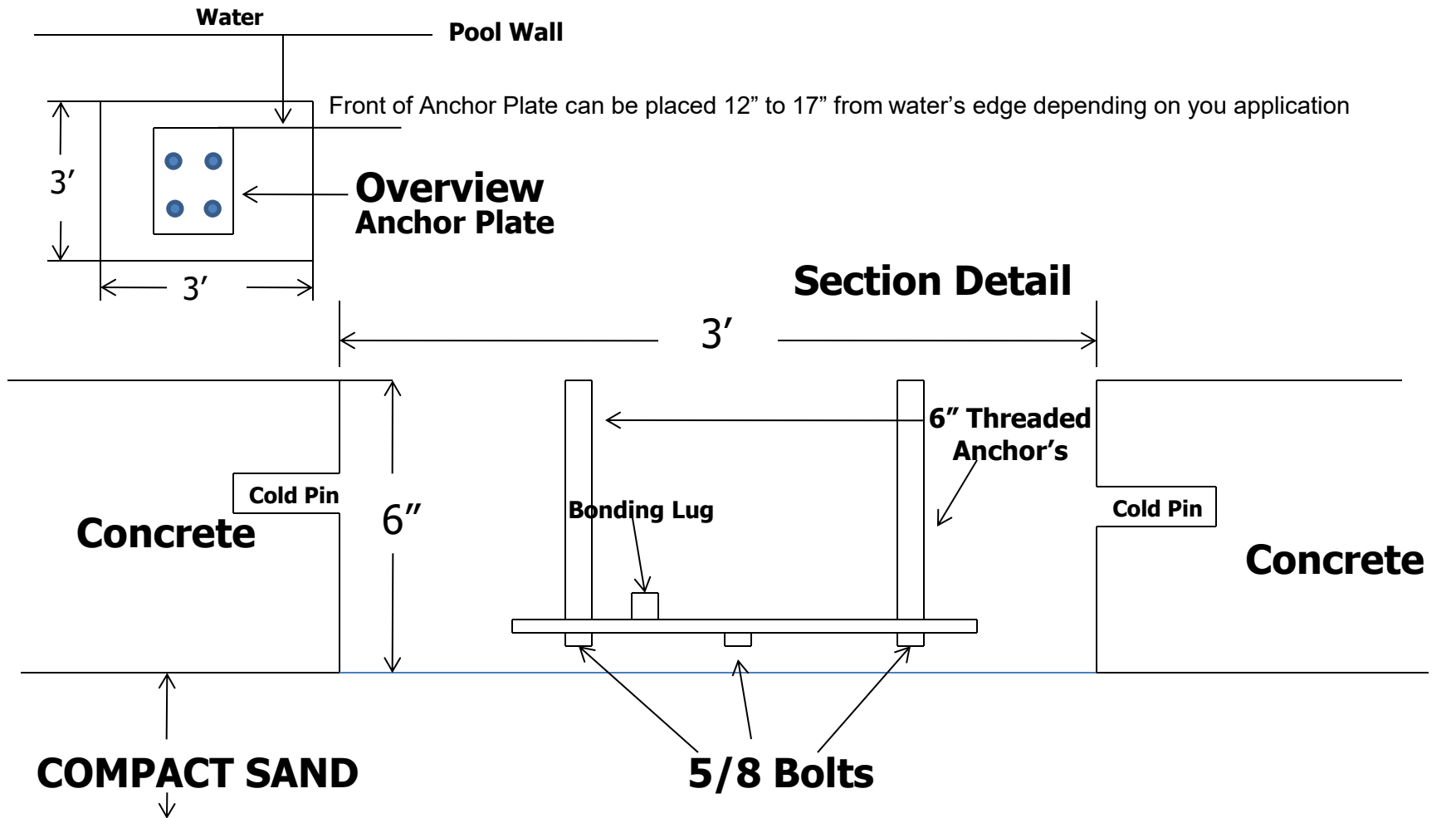
- Clear Deck Space. On the side of the seat opposite the water, a clear deck space shall be provided parallel with the seat. The space shall be 36 inches (915 mm) wide minimum and shall extend forward 48 inches (1220 mm) minimum from a line located 12 inches (305 mm) behind the rear edge of the seat. The clear deck space shall have a slope not steeper than 1:48.



- Submerged Depth. The lift shall be designed so that the seat will submerge to a water depth of 18 inches (455 mm) minimum below the stationary water level.



# HOME SERIES – 4 POINT ANCHORING SYSTEM



**Optimal placement of the anchor system is 13" from the front of the anchor plate to water's edge.**

**Attach copper wire to the bonding lug and then to your bonding grid**

**Cold Pin's should be 1/2" rebar 6" to 8" long**

**NOTE: Make sure your anchor plate is level and square with your pool's edge.**

Step 1: Determine the location for installation (Make sure all ADA requirements are met).

\*\*\*NOTE: The installation of Global Lift Corp's anchor system's are a guideline of minimum requirements. In some states or municipalities they may require additional steps due to their local codes or ordinances.\*\*\*

Step 2: Make sure that all the parts are present (Refer to the parts list)

- ✓ 1 - Anchor Plate with Bonding Lug & bolt
- ✓ 4 - 5/8" x 1" Stainless Steel Bolts
- ✓ 4 - 6" Anchors

Step 3: At the determined location for installation, chalk out a 3' X 3' area prior to cutting out the concrete. (Refer to overview, the front of the Anchor Plate must be 12" to 17" from the water's edge and 6" deep). New Construction, the concrete must be 6" deep with a 1/2" reinforcing rod, minimum of an 18" grid.

**NOTE: Make sure all local codes and ordinances are met.**

Step 4: Once the 3' X 3' area is cut out, make sure you drill in the inner wall of all 4 sides of the area (refer to the section detail) for the purpose of cold pinning the new concrete to the old concrete. Use 1/2" rebar, 6" to 8" in length.

Step 5: Attach the 3 – 6" threaded anchor's with the 5/8" x 1" bolts (included) to the Anchor Plate and tighten down.

Step 6: Place the Anchor Plate in the area, make sure that the front of the Anchor Plate is 12" to 17" from the water's edge and that the decal's arrow on the anchor plate is pointing to the water's edge (refer to overview). A key element is to make sure that the Anchor Plate is level and square with the pool so that your Home Series Lift sits properly on the deck.

Step 7: Bonding the unit – The bonding lug is included with the Anchor plate (furthest point from the pool wall on the Anchor Plate) locate the bonding lug, connect the bonding lug to the bonding grid.

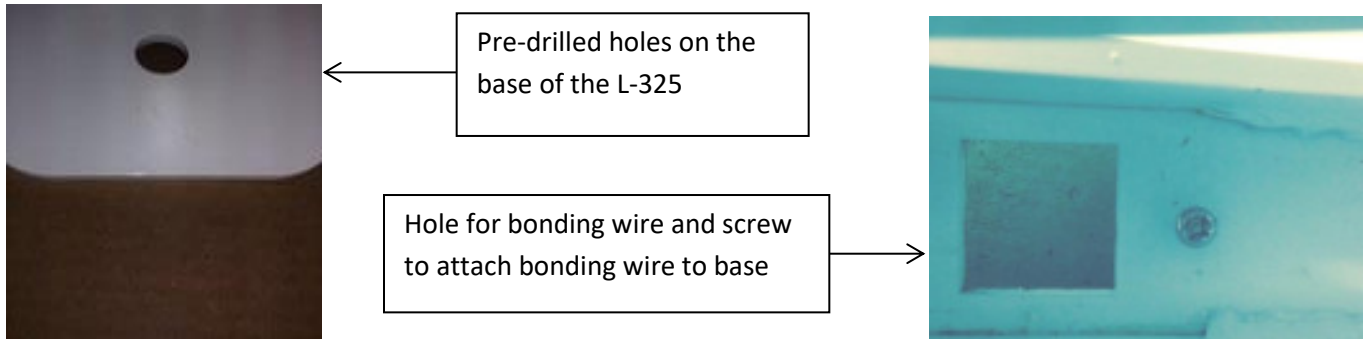
**NOTE: Make sure all local codes and ordinances are met.**

Step 8: Pour in your concrete, (make sure you cover the holes in the 3 threaded anchor's so you don't get concrete in the threads) minimum of 4,000 psi with reinforcing rod. Also make sure that the tops of the threaded anchors are flush with the deck. Before you install your lift make sure you let the concrete set up for 48 hours.

Step 9: After the concrete has set for 48 hours, now it's time to install your lift. Place your Home Series Lift over the anchor holes, screw in the Anchor bolts that are included and tighten down securely. Once you have completed the installation, please refer to User's Manual for a safe operation.

# Drop in Anchor

## Home Series



Position the lift in the location to be installed.

Locate the 4 pre-drilled holes on the base of the lift.

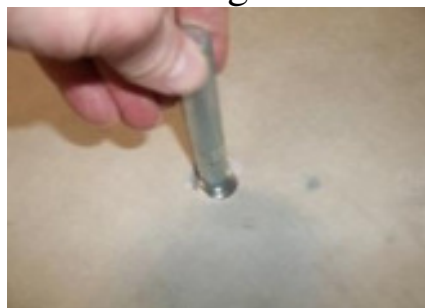
Position the lift so that the base of the lift is from 12" to 17" from the pools' edge.

Now mark the concrete so you will know where to drill.

Remove the lift and set aside.

You will need a 7/8" rock carbide drilling bit.

- Make sure you have accurately marked the hole locations to be drilled and the square hole in the base where the bonding wire needs to come through. The holes must be 2 1/2" deep. Run the copper bonding wire to come through the square hole you previously marked
- Clean holes with pressurized air or vacuum.
- Administer Epoxy into each hole prior to inserting the drop in anchor.
- Drive the anchor flush with the surface of the concrete .
- Expand the anchors with the setting tool (provided). Anchor is properly expanded when shoulder of the setting tool is flush with the top of the anchor.
- Position the lift back in place and aligned with the holes.
- Insert drop in anchor bolts and tighten.



Setting tool shown

# GLOBAL LIFT CORP INSTALLATION MANUAL Home Series Lifts



# Home Series Assembly Steps



Main Components – Lift



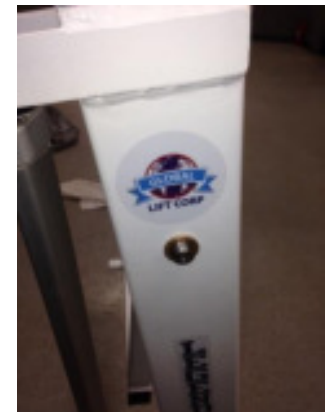
Seat tube



1



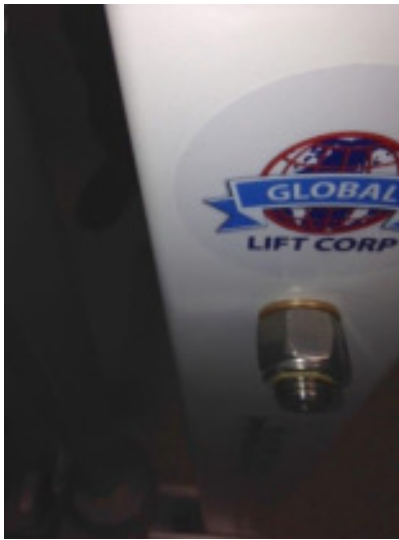
2



3

1. Insert the seat tube into the upper hole on the lift, ensuring the tube is inserted into the side with the protruding tube as shown above. 2. The seat tube will have to be cranked in a clockwise direction to thread thru the brass bushings. 3. Keep cranking until the threads protrude from the back side of the lift, and the triangle is butted up against the bushing.

4



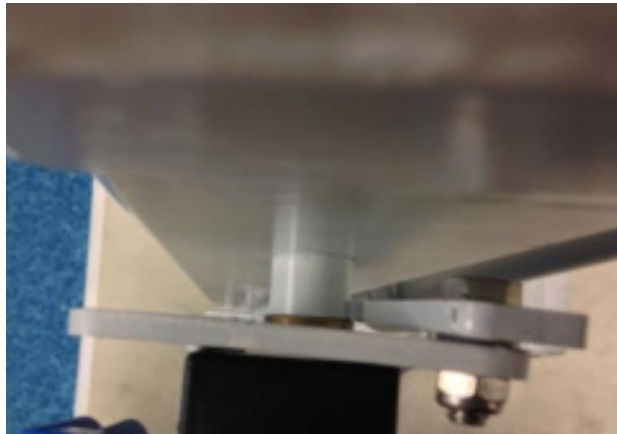
5



6



7



8



4. Tighten nut until snug against the bushing. Do not over tighten. 5. Locate the seat stabilizer bar, and raise it up and behind the triangle so that the bar is situated in between the triangle, and the main beam. 6. Insert the bolt that is pre-attached, ensuring that the 3 nylon washers are spaced in between the nut, the triangle and bar, and the bolt head. Tighten the nut until snug, but do not over tighten. 7 & 8. Finished Seat tube assembly.



# GLOBAL LIFT CORP INSTALLATION MANUAL (Footrest Optional)

## SEAT AND FOOT REST PARTS LIST

- 1 - Seat
- 1 - Foot Rest
- 2 – Arm Rests
- 1 - Seat Belt & Buckle
- 3 – 5/16 x 3” Attaching Pin with lock nut
- 1 – 5/16 x 2” Foot Rest attaching bolt w/ nut
- 



# INSTALLATION STEPS



Picture A

Step 1:

Unpack your custom seat (picture A). Optional Items will consist of:

- Foot Rest and Tube
- 3 - 5/16" x 3" Bolt with Lock nut

# INSTALLATION STEPS



Picture A



Picture B

Step 2:

Align your custom seat (Picture A), With 3 pre-drilled holes as shown.

Step 3:

Once you have the seat in place, take one 5/6" x 3" bolt and slide it through the pre-drilled Holes (Picture B). Once you have inserted the bolt all the way through, apply the locking nut (supplied) and tighten down.

# INSTALLATION STEPS



Step 4:

Locate the other 2- 5/16 x 3" securing bolts (supplied), insert the bolt through the pre-drilled Seat and tube holes (As shown Above). Also insert the bolt in the back of the seat.

Once you have the bolts inserted, secure the installation with the lock nuts that are provided and tighten down.



# INSTALLATION STEPS

## FOOT REST (Optional)



Picture A



Picture B

### Step 5:

In picture A, slide the foot tube through the foot rest sleeve and line the hole to the Slot. In picture B, locate the 5/16" x 2" bolt and insert into the pre-drilled holes to secure the foot rest to the lift. Place the lock nut on the bolt and tighten down. Once that is complete, you are ready to enjoy your Global Lift Corp pool lift.

NOTES:

REV.

DESCRIPTION

DATE

APVD.



MATERIAL:

SCALE: 1:5	REV: 100	10/1/2013	DWR: B.E.
WEIGHT:		MACH WEIGHT:	APVD BY: J.I.

TITLE: **H-300  
COVER**

DO NOT SCALE DRAWING  
UNLESS OTHERWISE SPECIFIED  
DIMENSIONS ARE IN INCHES  
TOLERANCES ARE:  
X.X - .010  
X.X - .005  
X.X - .001

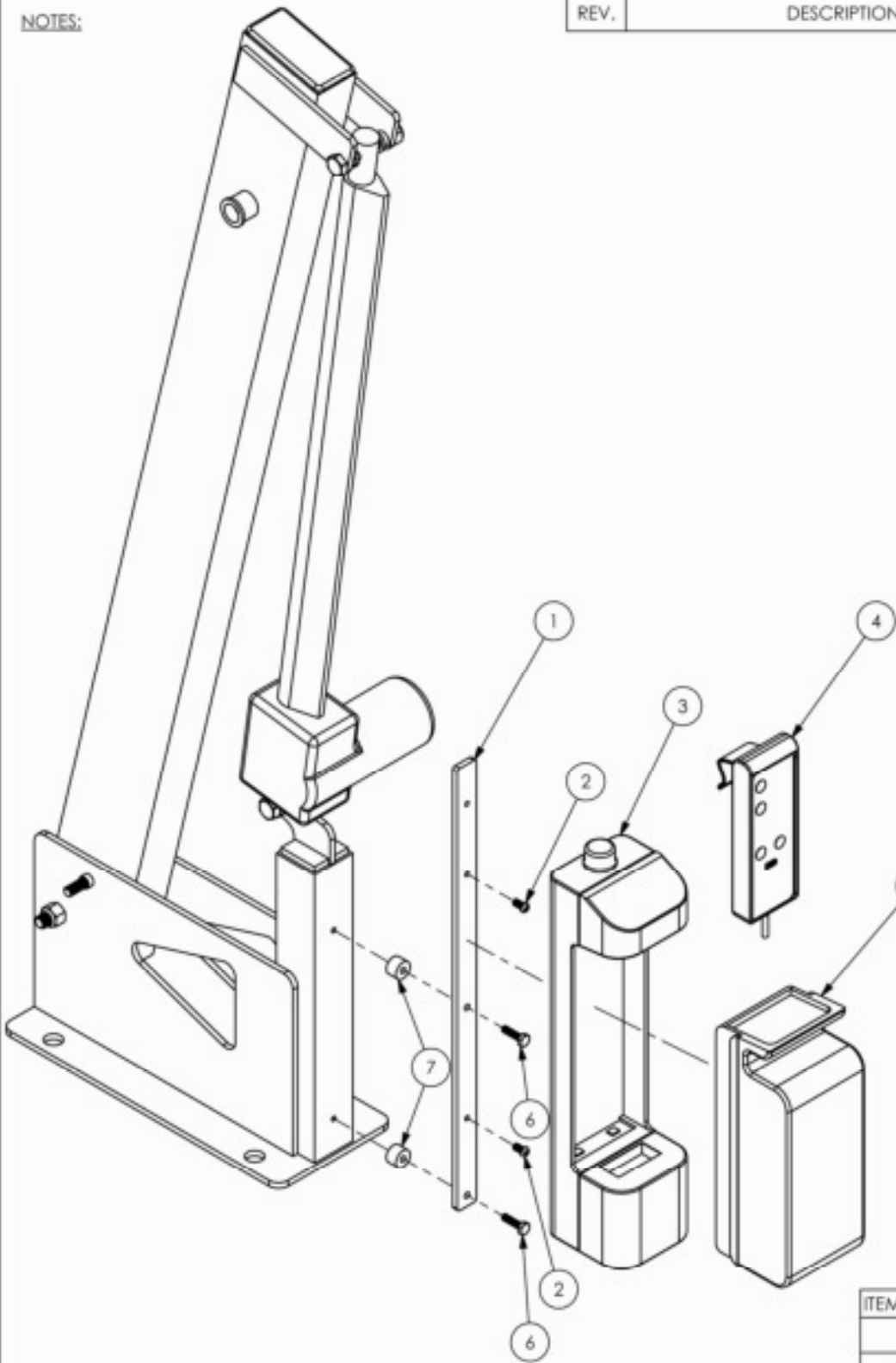
PROPRIETARY AND CONFIDENTIAL  
THE INFORMATION CONTAINED IN THIS DRAWING IS THE SOLE  
PROPERTY OF Global Lift Corporation. ANY REPRODUCTION IN  
PART OR AS A WHOLE WITHOUT THE WRITTEN PERMISSION OF  
Global Lift Corp. IS PROHIBITED.

684 N. Port Crescent, Suite C  
Bad Axe, MI 48413

DWG. NO. **H-300**

NOTES:

REV.	DESCRIPTION	DATE	APVD.
------	-------------	------	-------



ITEM NO.	PART NUMBER	DESCRIPTION	QTY.
1	LGLCBP-6	BRACKET	1
2	RGLC25X.5BHB	BOLT	2
3	T5068-5	CONTROL BOX	1
4	T5068-4	HANDSET	1
5	T5068-2	BATTERY	1
6	BOLT25-20-1	BOLT	2
7	LGLCSPACER	SPACER	2

MATERIAL:

SCALE: 1:7	REV: 100	DATE: 4/29/2015	DWR: B.E.
WEIGHT: LBS	MACH WEIGHT: LBS	APVD BY: J.I.	

DO NOT SCALE DRAWING  
UNLESS OTHERWISE SPECIFIED  
DIMENSIONS ARE IN INCHES  
TOLERANCES ARE:  
.0005 - .0010  
.0015 - .0030  
.0035 - .0050  
.0055 - .0100  
.0105 - .0150  
.0155 - .0200  
.0205 - .0250  
.0255 - .0300  
.0305 - .0350  
.0355 - .0400  
.0405 - .0450  
.0455 - .0500  
.0505 - .0550  
.0555 - .0600  
.0605 - .0650  
.0655 - .0700  
.0705 - .0750  
.0755 - .0800  
.0805 - .0850  
.0855 - .0900  
.0905 - .0950  
.0955 - .1000

**PROPRIETARY AND CONFIDENTIAL**  
THE INFORMATION CONTAINED IN THIS DRAWING IS THE SOLE  
PROPERTY OF Global Lift Corporation. ANY REPRODUCTION IN  
PART OR AS A WHOLE WITHOUT THE WRITTEN PERMISSION OF  
Global Lift Corp. IS PROHIBITED.



TITLE: H-300 HOME SERIES
DWG. NO. CONTROL BOX & BATTERY

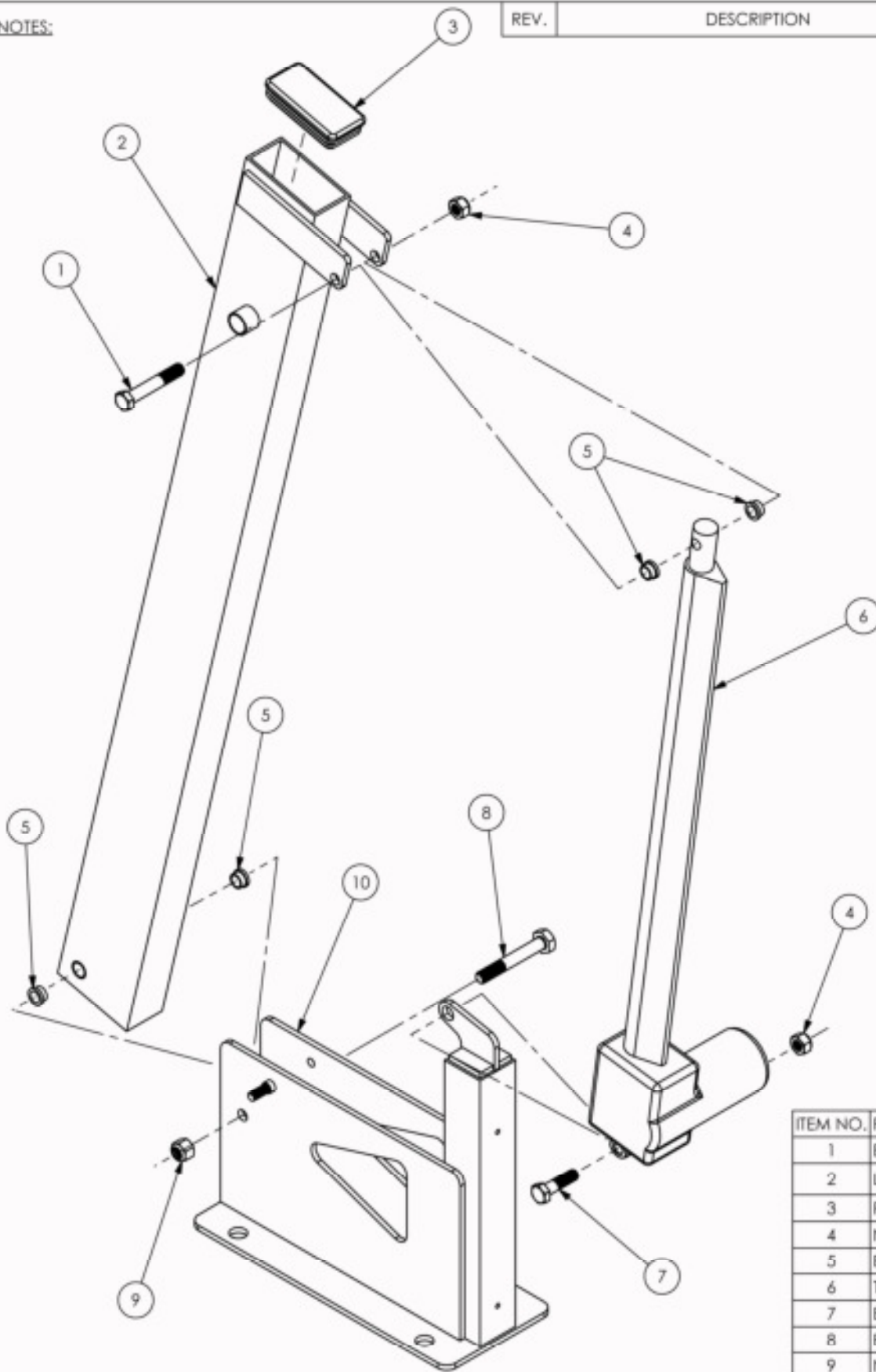
NOTES:

REV.

DESCRIPTION

DATE

APVD.



ITEM NO.	PART NUMBER	DESCRIPTION	QTY.
1	BOLT-M12-70	BOLT	1
2	LGLCMB-0	MAIN BEAM	1
3	PLASCAP-5	PLASTIC CAP	1
4	NUT-M12	NUT	2
5	BUSH50-375	BUSHING	4
6	T5068-1	ACTUATOR	1
7	BOLT-M12-40	BOLT	1
8	BOLT5-13-3	BOLT	1
9	NUT5-13	NUT	1
10	LGLCBP-0	BASE PLATE	1

MATERIAL:

SCALE: 1:6	REV: 100	12/29/2015	DWR: B.E.
WEIGHT: LBS	MACH WEIGHT: LBS	APVD BY: J.I.	

DO NOT SCALE DRAWING  
UNLESS OTHERWISE SPECIFIED  
DIMENSIONS ARE IN INCHES  
TOLERANCES ARE:  
X - .010 FRACTIONAL DIMENSIONS  
XX - .005  
XXX - .001

PROPRIETARY AND CONFIDENTIAL  
THE INFORMATION CONTAINED IN THIS DRAWING IS THE SOLE  
PROPERTY OF Global Lift Corporation. ANY REPRODUCTION IN  
PART OR AS A WHOLE WITHOUT THE WRITTEN PERMISSION OF  
Global Lift Corp. IS PROHIBITED.



684 N. Port Crescent, Suite C  
Bod Axe, MI 48413

TITLE: **H-300 HOME SERIES**  
DWG. NO. **MAIN BEAM & ACTUATOR**



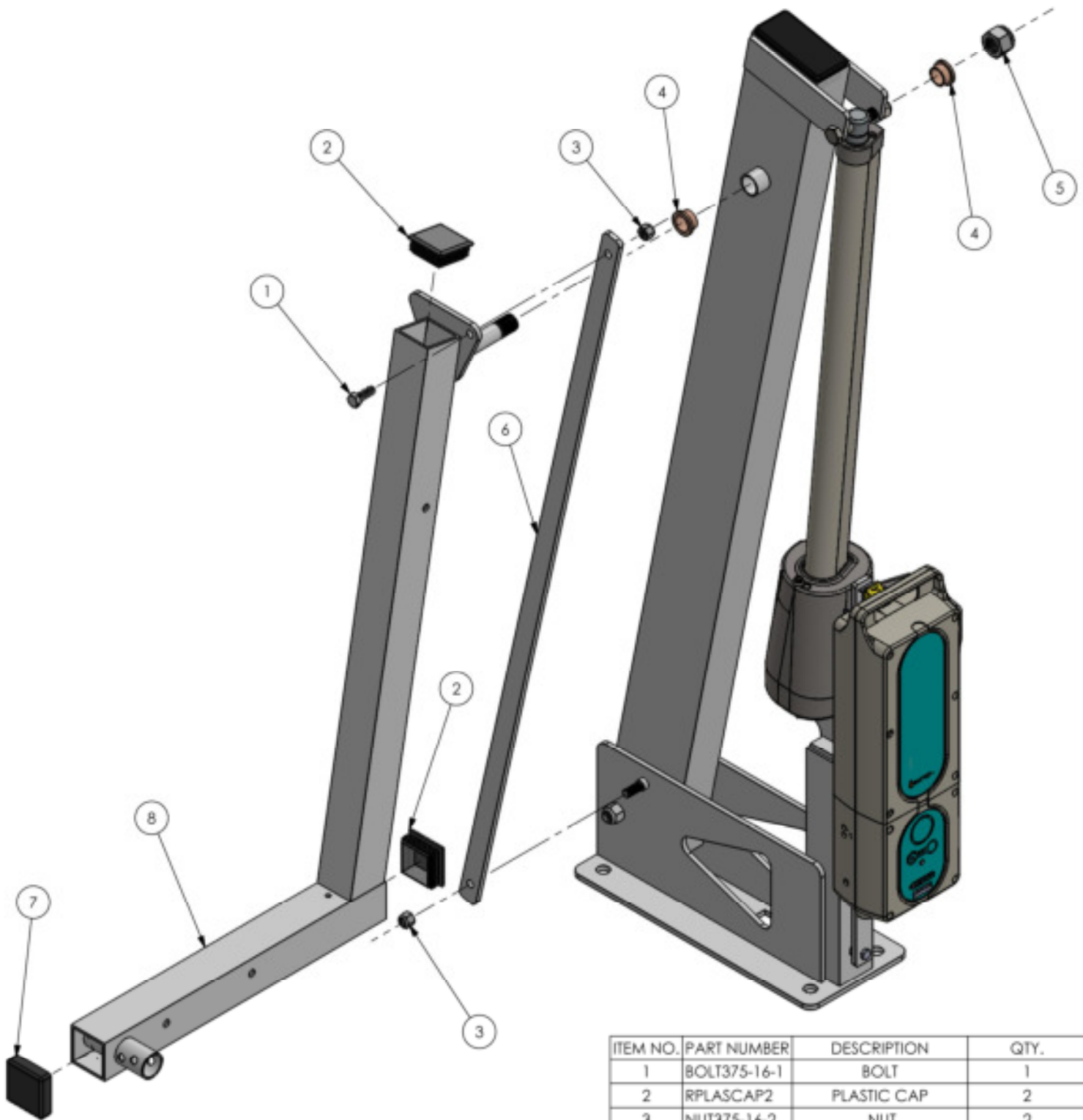
NOTES:

REV.

DESCRIPTION

DATE

APVD.



ITEM NO.	PART NUMBER	DESCRIPTION	QTY.
1	BOLT375-16-1	BOLT	1
2	RPLASCAP2	PLASTIC CAP	2
3	NUT375-16-2	NUT	2
4	BUSH75-5	BUSHING	2
5	NUT75-10	NUT	1
6	LGLCSS-1	SEAT LEVELER BRACKET	1
7	RPLASCAP-2	PLASTIC CAP	1
8	LGLCST-0	SEAT TUBE	1

MATERIAL:

SCALE: 1:6	REV: 100	10/2/2013	DWR: B.E.
WEIGHT:	MACH WEIGHT:	APVD BY: J.I.	

DO NOT SCALE DRAWING  
UNLESS OTHERWISE SPECIFIED  
DIMENSIONS ARE IN INCHES  
TOLERANCES ARE:  
X . . . ± .01  
XX . . . ± .005  
XXX . . . ± .002

PROPRIETARY AND CONFIDENTIAL  
THE INFORMATION CONTAINED IN THIS DRAWING IS THE SOLE  
PROPERTY OF Global Lift Corporation. ANY REPRODUCTION IN  
PART OR AS A WHOLE WITHOUT THE WRITTEN PERMISSION OF  
Global Lift Corp. IS PROHIBITED.

684 N. Port Crescent, Suite C  
Bad Axe, MI 48413

TITLE: H-300 HOME SERIES SEAT TUBE  
DWG. NO. SEAT TUBE - EXPLODED

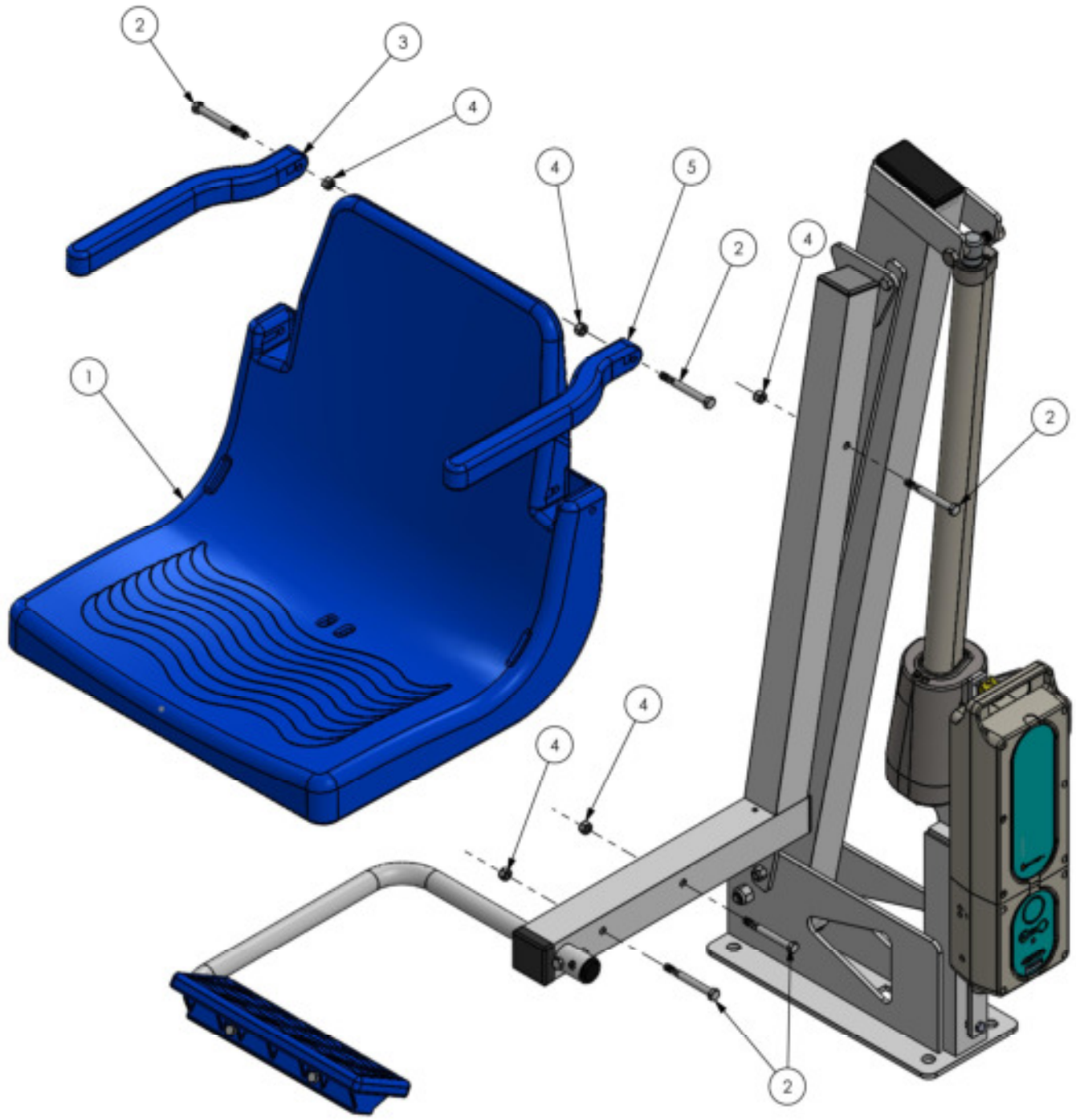
NOTES:

REV.

DESCRIPTION

DATE

APVD.



ITEM NO.	PART NUMBER	DESCRIPTION	QTY.
1	GLCSEATB-1	SEAT	1
2	BOLT313-18-3	BOLT	5
3	GLCSEATB-6R	ARM REST, RIGHT	1
4	NUT313-18	NUT	5
5	GLCSEATB-6L	ARM REST, LEFT	1

MATERIAL:

SCALE: 1:7	REV: 100	10/1/2013	DWR: B.E.
WEIGHT:	MACH WEIGHT:	APVD BY: J.J.	

DO NOT SCALE DRAWING  
UNLESS OTHERWISE SPECIFIED  
DIMENSIONS ARE IN INCHES  
TOLERANCES ARE:

.125 - .001  
.125 - .001  
.125 - .001

**PROPRIETARY AND CONFIDENTIAL**

THE INFORMATION CONTAINED IN THIS DRAWING IS THE SOLE  
PROPERTY OF Global Lift Corporation. ANY REPRODUCTION IN  
PART OR AS A WHOLE WITHOUT THE WRITTEN PERMISSION OF  
Global Lift Corp. IS PROHIBITED.

**LIFT CORP**

684 N. Port Crescent, Suite C  
Bad Axe, MI 48413

TITLE: **H-300  
SEAT & ARM RESTS**

DWG. NO.  
**SEAT - EXPLODED**

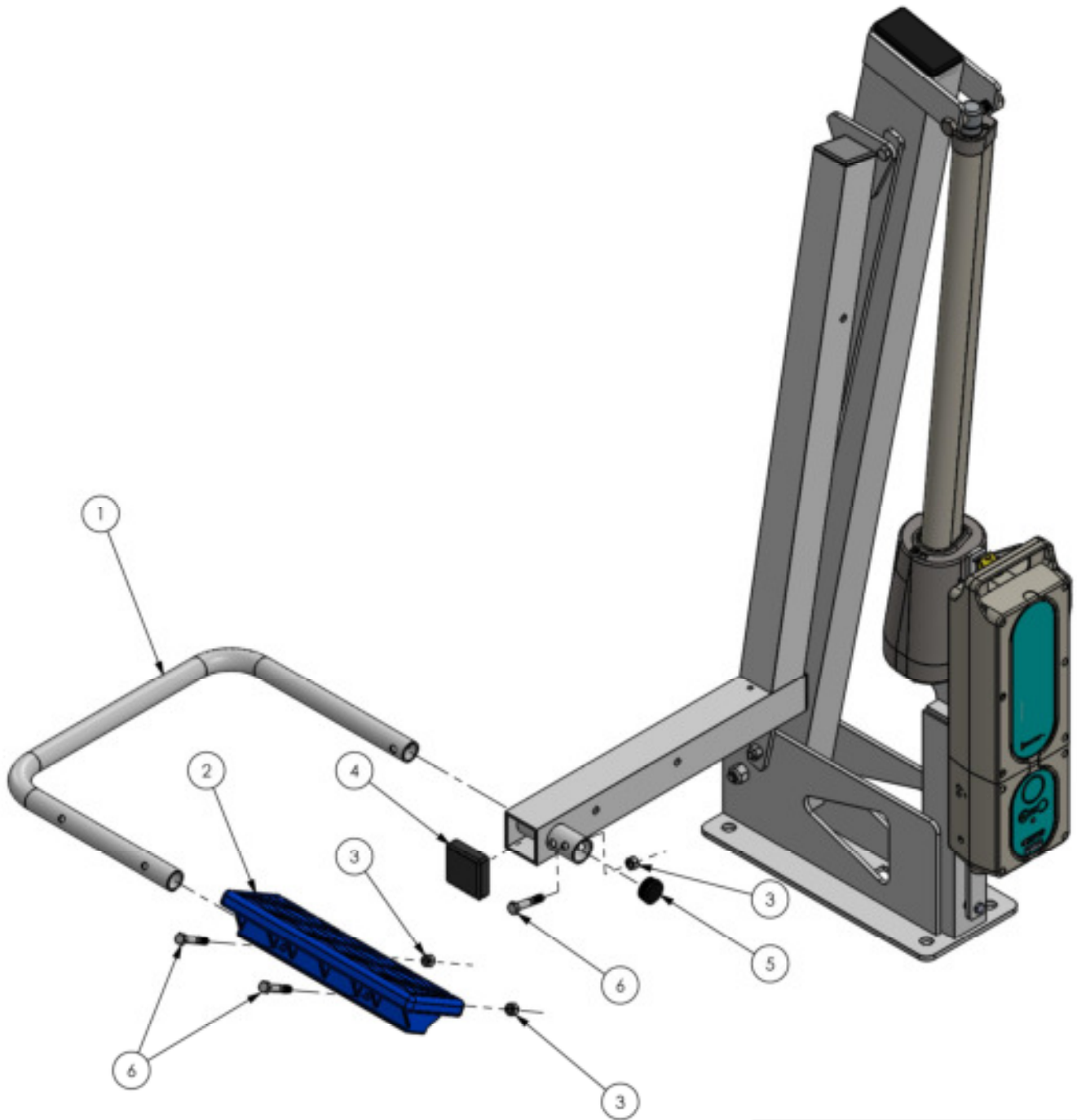
NOTES:

REV.

DESCRIPTION

DATE

APVD.



ITEM NO.	PART NUMBER	DESCRIPTION	QTY.
1	GLCSEATB-7	FOOT REST TUBE	1
2	GLCSEATB-9	FOOT REST	1
4	RPLASCAP-2	PLASTIC CAP	1
5	PLASCAP-1	PLASTIC CAP	1
6	BOLT313-18-1.75	BOLT	3
3	NUT313-18	NUT	3

MATERIAL:

SCALE: 1:7	REV: 100	10/2/2013	DWR: B.E.
WEIGHT:		MACH WEIGHT:	APVD BY: J.I.

DO NOT SCALE DRAWING  
UNLESS OTHERWISE SPECIFIED  
DIMENSIONS ARE IN INCHES  
TOLERANCES ARE:  
X.X - .015  
X.X - .010  
X.X - .008

PROPRIETARY AND CONFIDENTIAL  
THE INFORMATION CONTAINED IN THIS DRAWING IS THE SOLE  
PROPERTY OF Global Lift Corporation. ANY REPRODUCTION IN  
PART OR AS A WHOLE WITHOUT THE WRITTEN PERMISSION OF  
Global Lift Corp. IS PROHIBITED.

684 N. Port Crescent, Suite C  
Bad Axe, MI 48413

TITLE: H-300  
OPTIONAL FOOT REST  
DWG. NO. FOOT REST - EXPLODED