

# FLUSH-MOUNT RETURN FITTING WITH WATER STOP, EYEBALL AND NUT (FITS 1" OR 1½" PIPE)



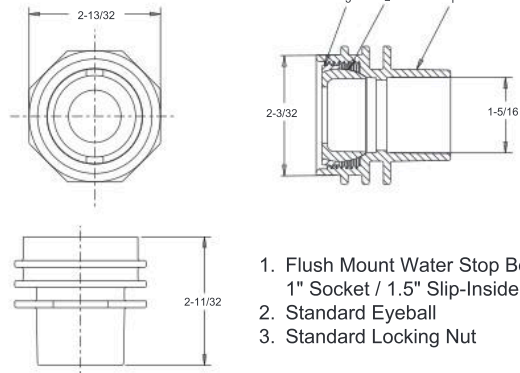
## Product Image and Dimensions



**Optional Part # VSJW102**  
To make adjustments to jet or directional eyeball locking ring.



**Part # 3xx**



1. Flush Mount Water Stop Body, 1" Socket / 1.5" Slip-Insider
2. Standard Eyeball
3. Standard Locking Nut

### FEATURES

- Slips inside 1½" pipe or outside 1" pipe
  - 1½" FPT in the front face
  - Finishes flush, no protrusion past the surface
  - Integrated water stop helps prevent leaks
  - Manufactured from ABS material
- 250 per case

### STANDARD COLORS

- 301
- 302
- 303
- 304
- 305
- 308

Additional orifice size suffix:  
 3xxB - ¾"  
 3xxC - ½"  
 3xxD - Slotted Down-Jet  
 (i.e. 301B = white ¾" orifice)  
 Also available in Clear (p/n 300)

### AquaStar Specific Eyeball GPM, Velocity and Head Loss Ratings

GPM	3xx (1")		3xxB (¾")		3xxC (½")		3xxD (Down-Jet)	
	Velocity (fps)	Head Loss (ft)	Velocity (fps)	Head Loss (ft)	Velocity (fps)	Head Loss (ft)	Velocity (fps)	Head Loss (ft)
5	2.2	0.1	3.6	0.5	8.2	2.4	10.1	2.1
10	4.4	0.5	7.3	1.8	16.3	8.7	20.2	8.1
15	6.6	1.1	10.9	3.7	24.5	18.6	30.3	20.7
20	8.8	1.9	14.5	6.2	32.4	32.0		
25	11.0	3.0	18.2	9.4				
30	13.2	4.4	21.8	13.1				
35	15.4	6.1	25.4	17.3				
40	17.6	8.0						
45	19.7	10.2						
50	21.9	12.7						